

THIS DRAWING IS UNPUBLISHED.

RELEASED FOR PUBLICATION AUGUST, 2006.

© COPYRIGHT 2006 By -

ALL RIGHTS RESERVED.

LOC	DIST	REVISIONS					
E	B	P	LTR	DESCRIPTION	DATE	DWN	APVD
			C1	REVISED PER ECO-11-005033	01APR11	RK	HMR

NOTES

1 SINGLE PACK IN ACCORDANCE WITH AMP SPEC 107-3275

2 50 TRAY PACK IN ACCORDANCE WITH AMP SPEC 107-3275

3 Au PLATING

4 Ni PLATING

5 HAND TOOL: 9-1478240-0

6 DIE SET: 9-1478248-0

7 ELECTRICAL CHARACTERISTICS

FREQUENCY RANGE:	DC - 2 GHz
NOMINAL IMPEDANCE:	50 Ohm
INSULATION RESISTANCE:	5000 MOhm
WORKING VOLTAGE:	100 Volts RMS at Sea Level
DIELECTRIC WITHSTAND VOLTAGE:	1000 Volts RMS Max
CONTACT RESISTANCE:	
CENTRE CONTACT:	10.00 mOhm Max
OUTER CONTACT:	5.00 mOhm Max
VSWR @ 1.8GHz:	1.30:1 Max
INSERTION LOSS dB @ x 1.8 GHz:	0.20 Max

8 MECHANICAL CHARACTERISTICS

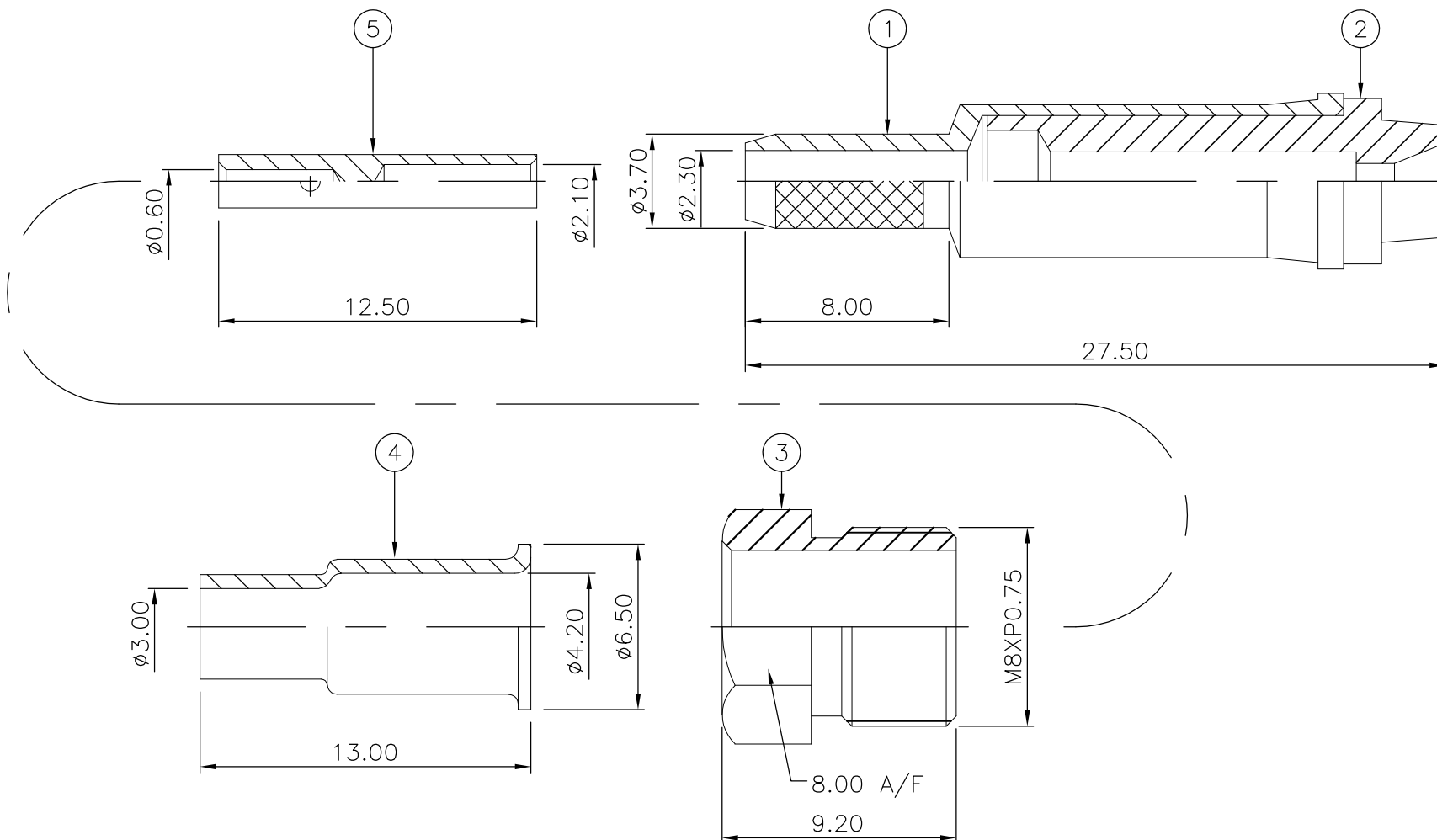
CABLE RETENTION FORCE:	
RG58C/U, 141A/U, URM43, 76	170N Min
RG174A/U, 188A/U, 316/U, URM95	85N Min
DURABILITY:	500 Cycles Min

9 ENVIRONMENTAL CHARACTERISTICS

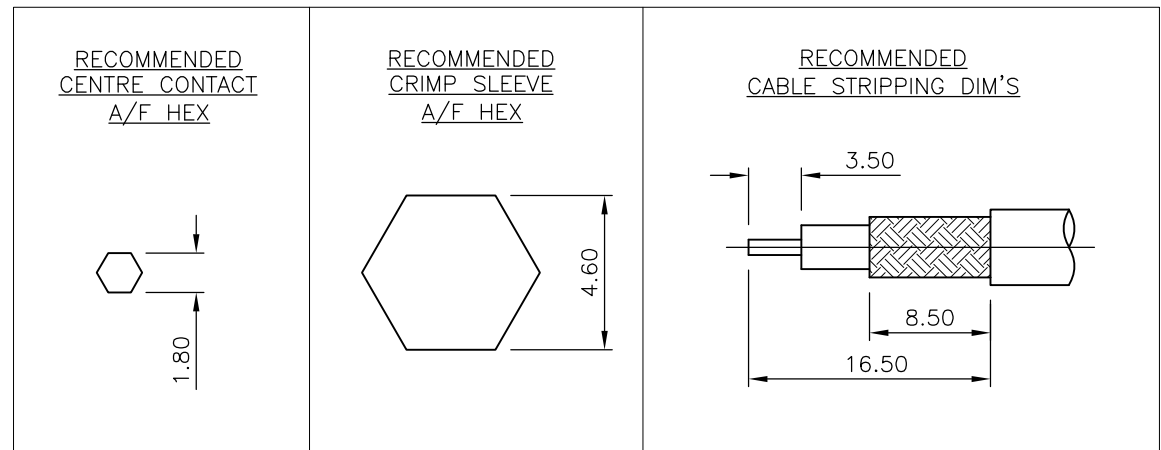
OPERATING TEMPERATURE:	-55 to +85 DegC
------------------------	-----------------

10 FOR TECHNICAL DATA REFER TO YOUR LOCAL TE CONNECTIVITY SALES OFFICE

11 ALL DIMENSIONS ARE NOMINAL FOR REFERENCE ONLY UNLESS OTHERWISE STATED



			1	1	BRASS	1	CONTACT	5
			1	1	BRASS	1	FERRULE	4
			1	1	BRASS	1	NUT	3
			1	1	DELTRIN	1	INSULATION	2
			1	1	BRASS	1	BODY	1
			6--0	1--0	MATERIAL		DESCRIPTION	ITEM
QUANTITY PER ASSY						PARTS LIST		



THIS DRAWING IS A CONTROLLED DOCUMENT.

DIMENSIONS:	TOLERANCES UNLESS OTHERWISE SPECIFIED:	DWN	J.SANDWELL	25AUG06	<b>STE</b> TE Connectivity			
mm		CHK	S.PARLOW	25AUG06				
		APVD	F.WHEELER-KING	25AUG06				
		PRODUCT SPEC						
MATERIAL	FINISH	APPLICATION SPEC	NAME		FME STRAIGHT JACK CRIMP 50 OHM			
SEE TABLE	SEE TABLE	WEIGHT	F.WHEELER-KING		RG174A/U, 188A/U, 316/U, URM95, KX3B, KX22A			
			SIZE	CAGE CODE	DRAWING NO	RESTRICTED TO		
			A3	00779	C-1337551			
CUSTOMER DRAWING			SCALE	NTS	SHEET	1 OF 1	REV	C1