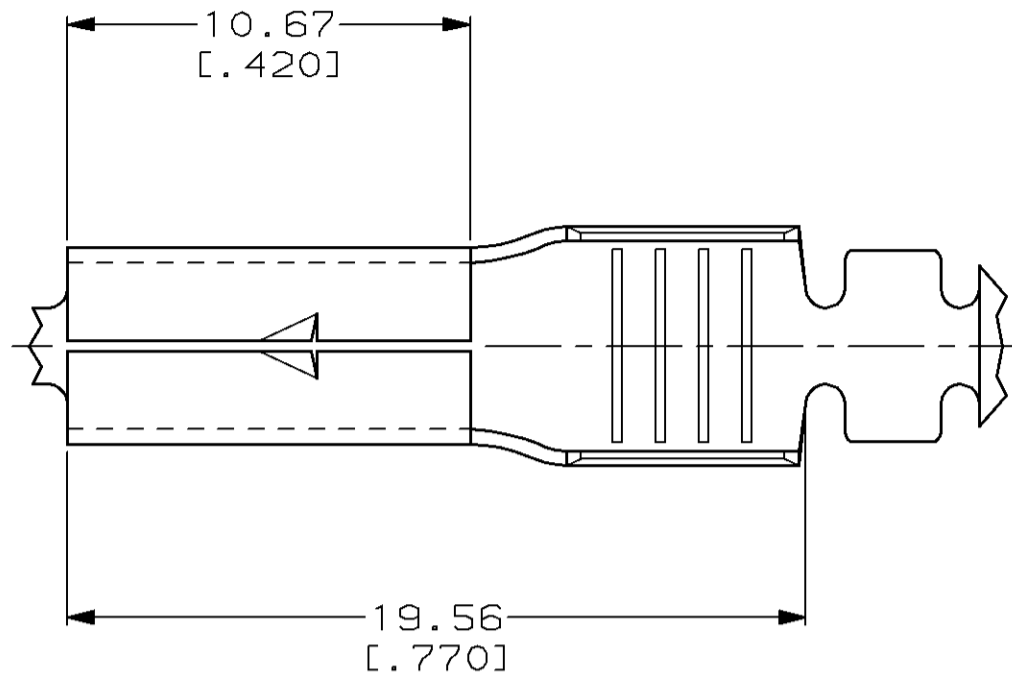
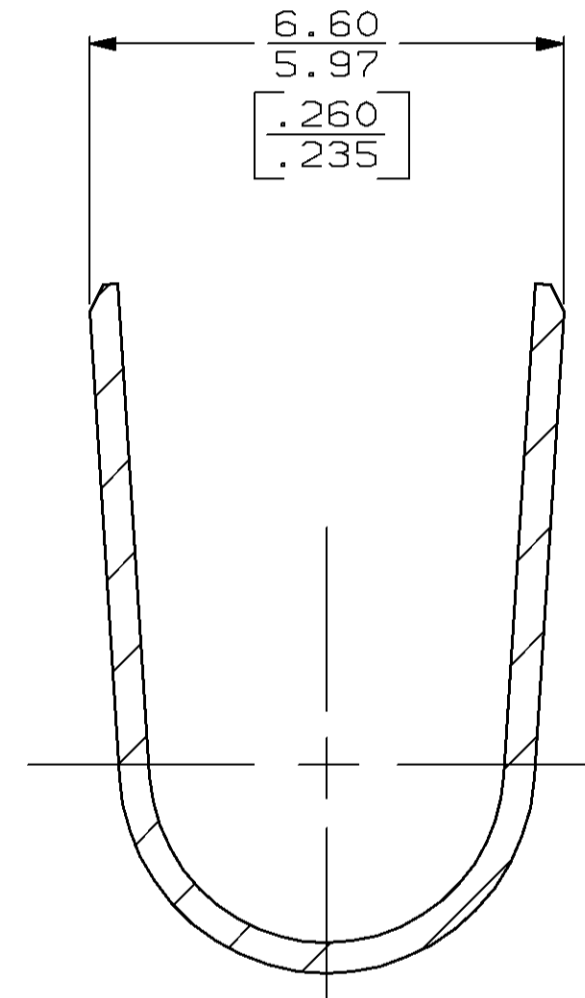
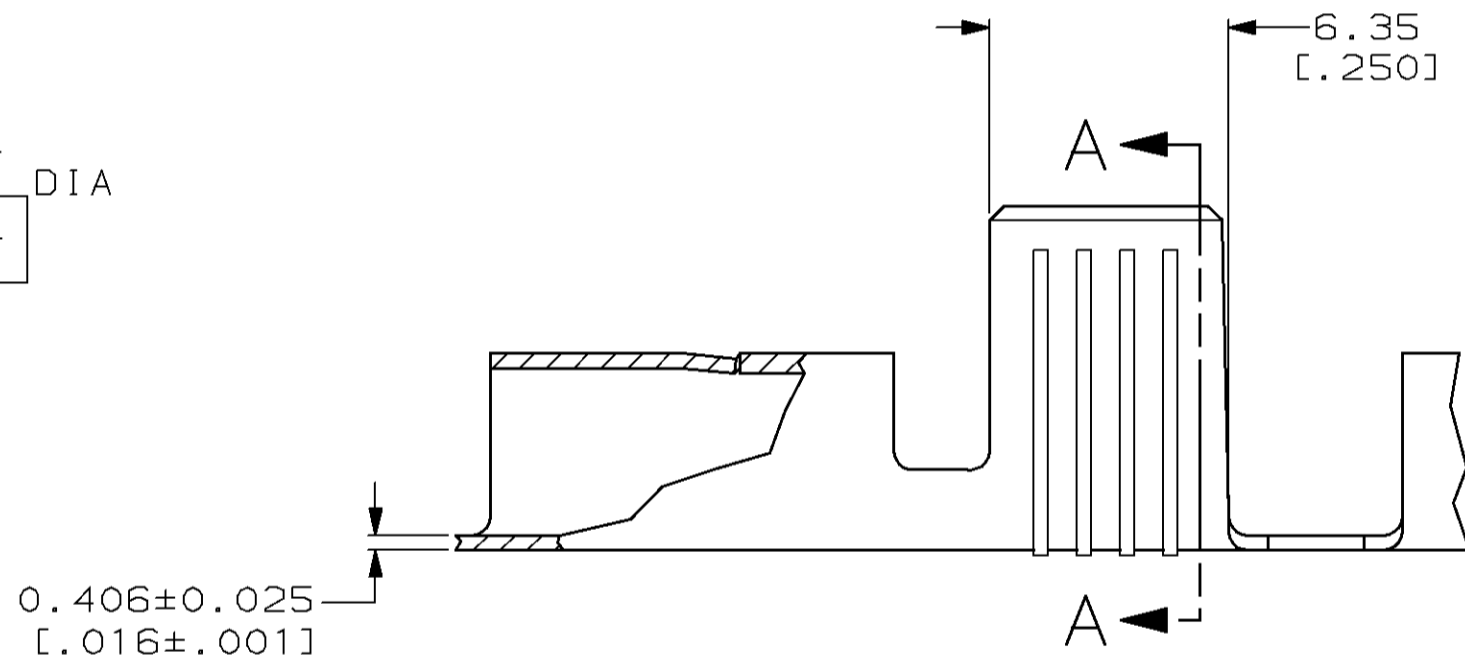
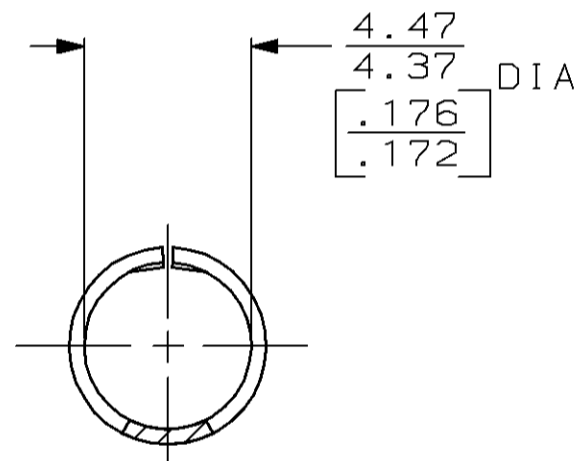


THIS DRAWING IS UNPUBLISHED. RELEASED FOR PUBLICATION
 BY AMP INCORPORATED. ALL RIGHTS RESERVED.

LOC		DIST		REVISIONS			
P	LTR	DESCRIPTION	DATE	DWN	APVD		
AF	50	B	ADDED -2 PER 0G1A-0244-98	7/23/98	JR	GY	



- 1 CONTINUOUS STRIP ON REEL.
- 2 WIRE SIZE IS FOR TWO #8 AWG.



SECTION A-A
SCALE 10:1

0.002032 [.000080] MIN TIN	1217074-2
-	1217074-1
FINISH	PART NUMBER

THIS DRAWING IS A CONTROLLED DOCUMENT.		DWN	JR RUTH	3/9/98
DIMENSIONS: mm [INCHES]		CHK	P FORTNEY	3/9/98
TOLERANCES UNLESS OTHERWISE SPECIFIED:		APVD	GARY YETTER	3/9/98
0 PLC	±-	PRODUCT SPEC	-	
1 PLC	±-	APPLICATION SPEC	-	
2 PLC	±0.25 [.010]	WEIGHT	-	
3 PLC	±-	CUSTOMER DRAWING	-	
4 PLC	±-	SCALE	5:1	SHEET 1 OF 1
ANGLES	±-	REV	B	
FINISH	-	MATERIAL 4M BRASS		

AMP AMP Incorporated
Harrisburg, PA 17105-3608

RECEPTACLE, SHUR PLUG,
4.57 [.180] DIA

SIZE	A2	CAGE CODE	00779	DRAWING NO	C=1217074	RESTRICTED TO	-
------	----	-----------	-------	------------	-----------	---------------	---