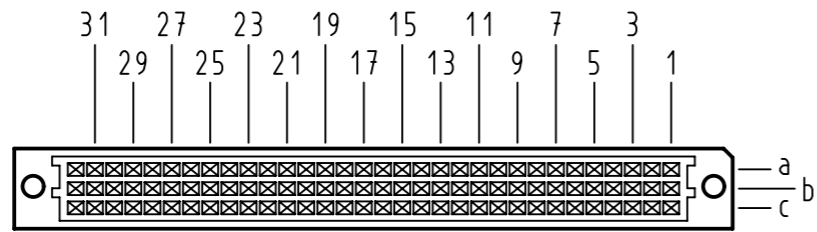


X
Kontaktanordnung
contact arrangement

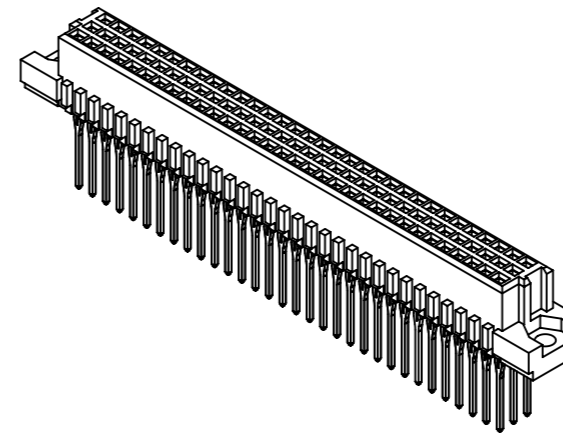
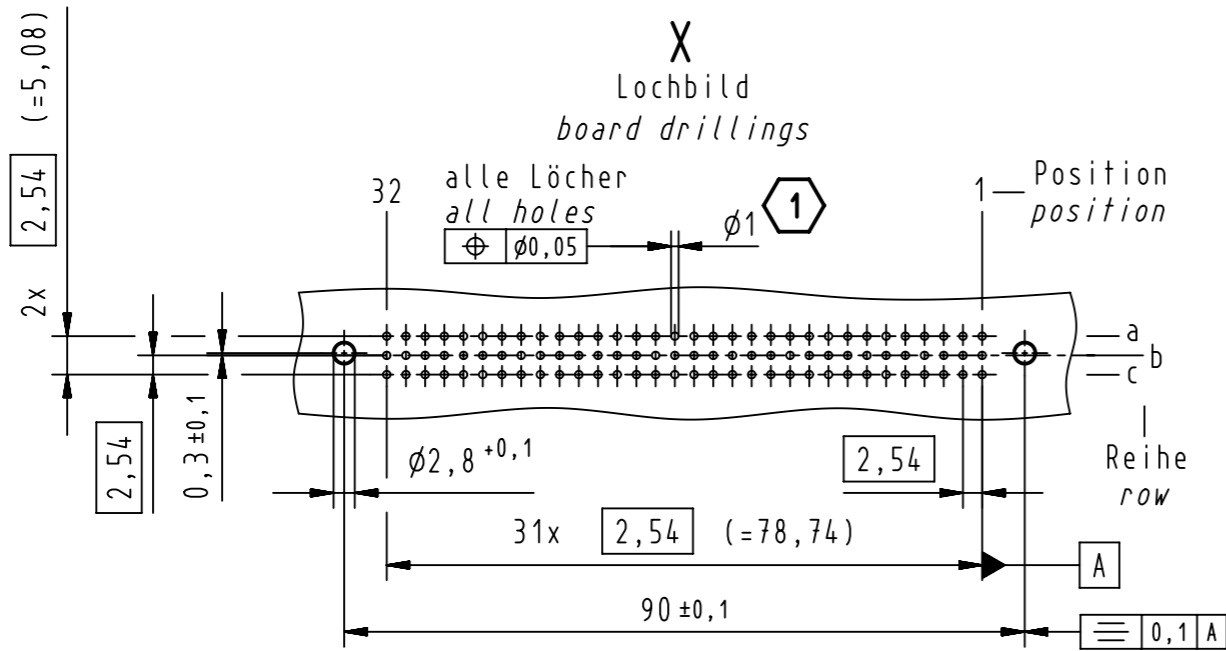


96 Signal Kontakte
96 signal contacts

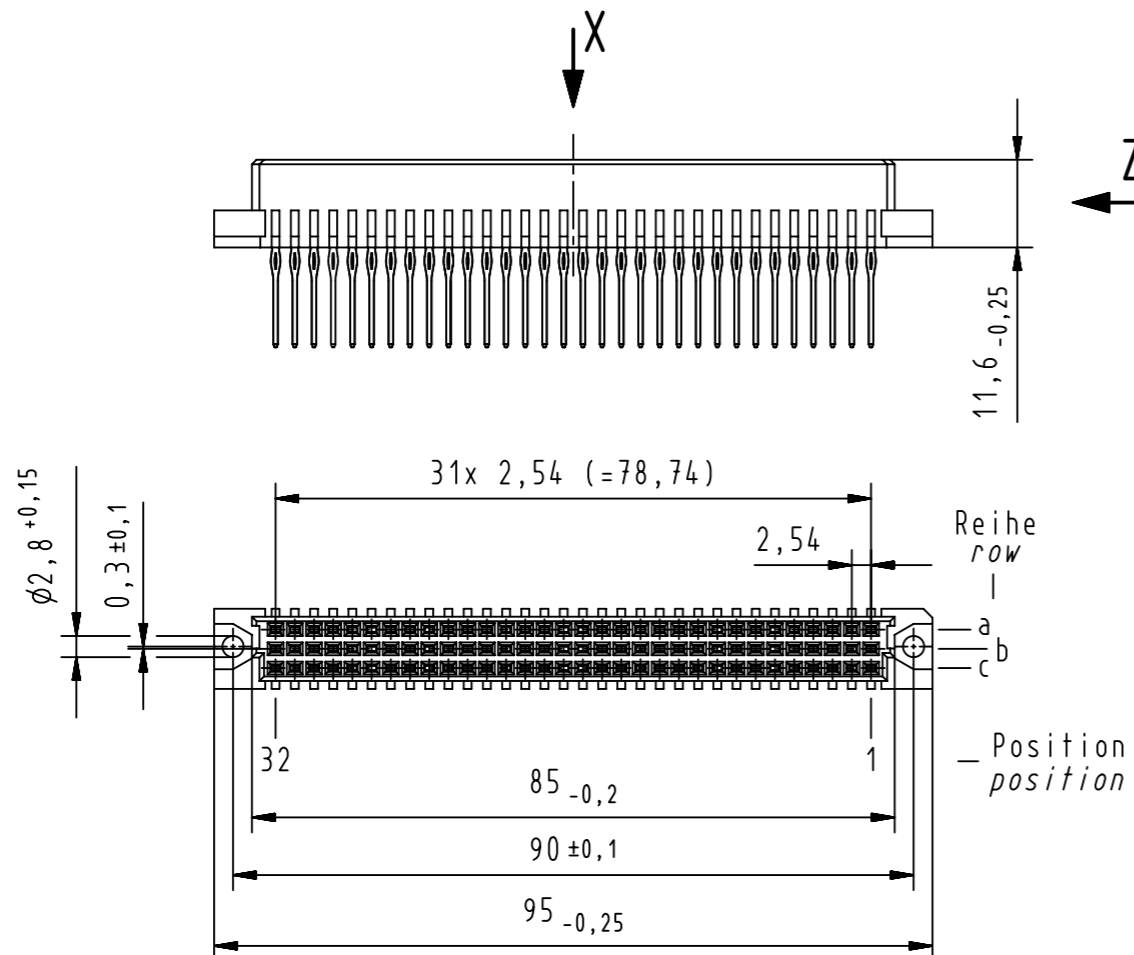
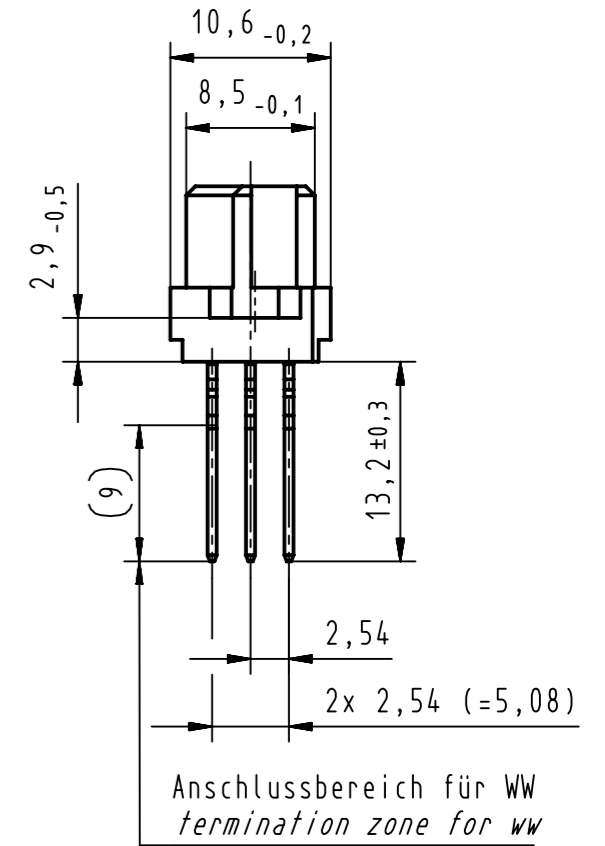
☒ = Kontaktposition belegt
= position with contact

☐ = Kontaktposition nicht belegt
= position without contact

X
Lochbild
board drillings



Z (2:1)



①

Empfohlener Lochaufbau und
weitere Informationen siehe: DS 09 03 210 00 02
recommended configuration of plated through holes
and further information see: DS 09 03 210 00 02

09 03 296 6851	2
Bestell-Nr. part-no.	Anforderungsstufe performance level ①

	All Dimensions in mm Original Size DIN A3	Scale 1:1	Free size tol. IEC 60603-2	Ref. Sub. TB 0903296x851 Mod. 34650 25.09.07	
	All rights reserved Department EC PD - DE	Created by HAGEMEYERE	Inspected by LEHNERT	Standardisation HOFFMANN	Date 2012-12-13
HARTING Electronics GmbH D-32339 Espelkamp	Title DIN Signal type C female press-in 13.2mm				Doc-Key / ECH-Nr. 100072194/UGD/0777/B 50000057580
	Type TB	Number 0903296X851		Rev. B	Page 1/1