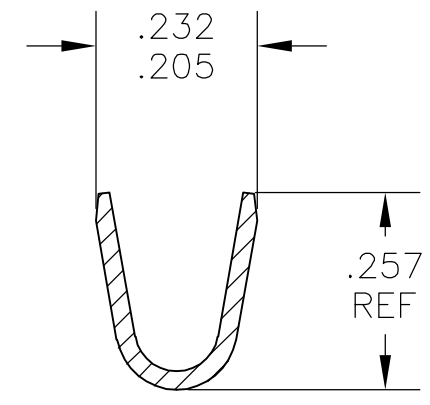
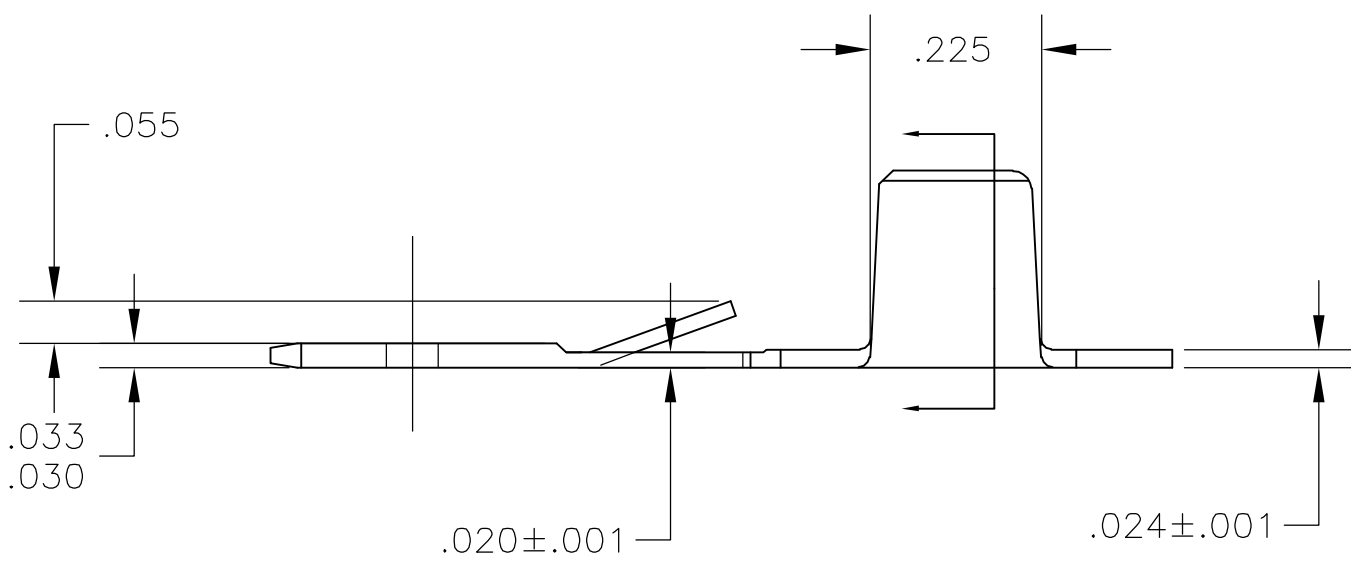
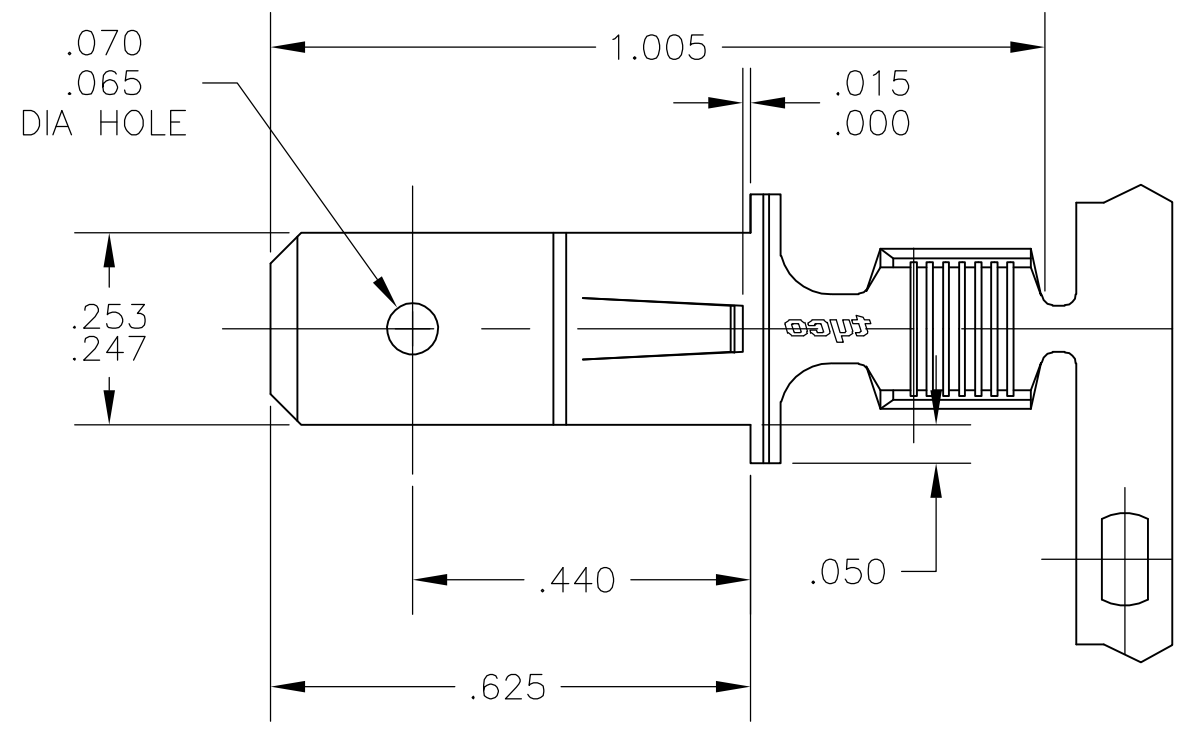


THIS DRAWING IS UNPUBLISHED. RELEASED FOR PUBLICATION
 © COPYRIGHT BY TYCO ELECTRONICS CORPORATION. ALL RIGHTS RESERVED.

LOC	DIST	REVISIONS					
		P	LTR	DESCRIPTION	DATE	DWN	APVD
AF	50		A1	REL PER ECR 06-028712	08DEC06	JR	KR

- CONTINUOUS STRIP ON REELS
- WIRE SIZE 7,000 - 13,000 CMA
- CRIMP INFO: .180 WIDTH, F TYPE
 CRIMP HT (±.002) = (TOTAL CMA + 22,200)/304,500



1742266-1
 PART NO

THIS DRAWING IS A CONTROLLED DOCUMENT.		DWN jr_ruth 11APR05	Tyco Electronics Corporation Harrisburg, Pa 17105-3608			
DIMENSIONS: INCHES		CHK K RANDOLPH 11APR05				NAME
TOLERANCES UNLESS OTHERWISE SPECIFIED:		APVD K RANDOLPH 11APR05	TAB, FASTIN-FASTON, AMPLIVAR, .250 SERIES			
0 PLC ± - 1 PLC ± - 2 PLC ± - 3 PLC ± .010 4 PLC ± - ANGLES ± 5°		PRODUCT SPEC -	RESTRICTED TO			
MATERIAL 082 BRASS		FINISH .000080 MIN TIN	APPLICATION SPEC 114-2146	SIZE A3	CAGE CODE 00779	DRAWING NO C-1742266
CUSTOMER DRAWING			WEIGHT -	SCALE 4:1	SHEET 1 OF 1	REV A1