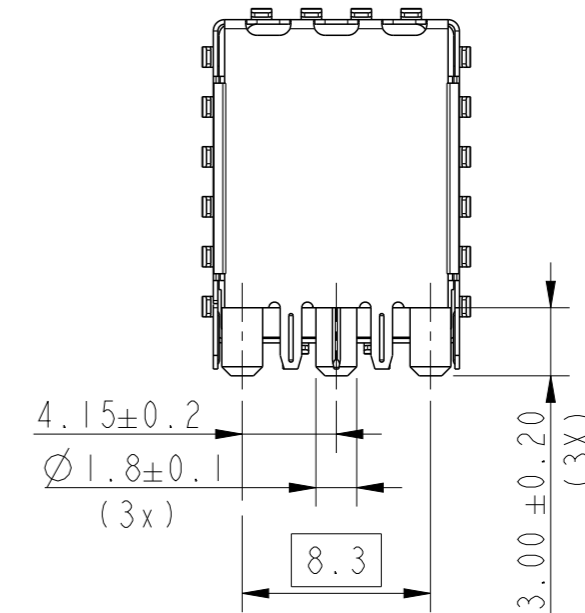
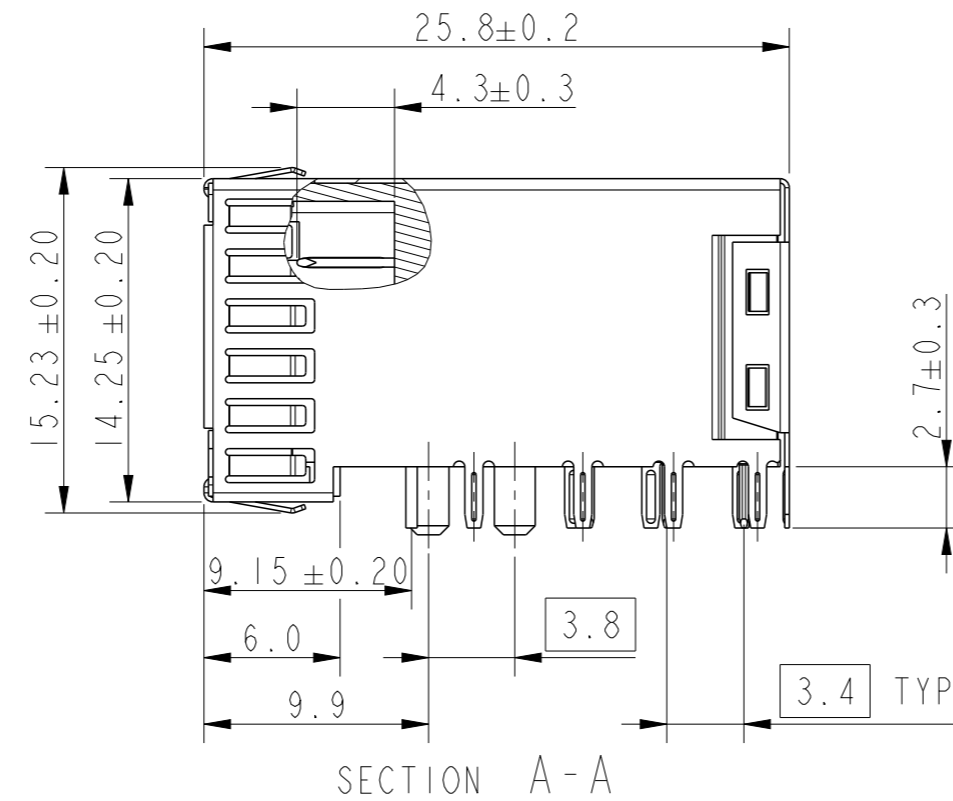
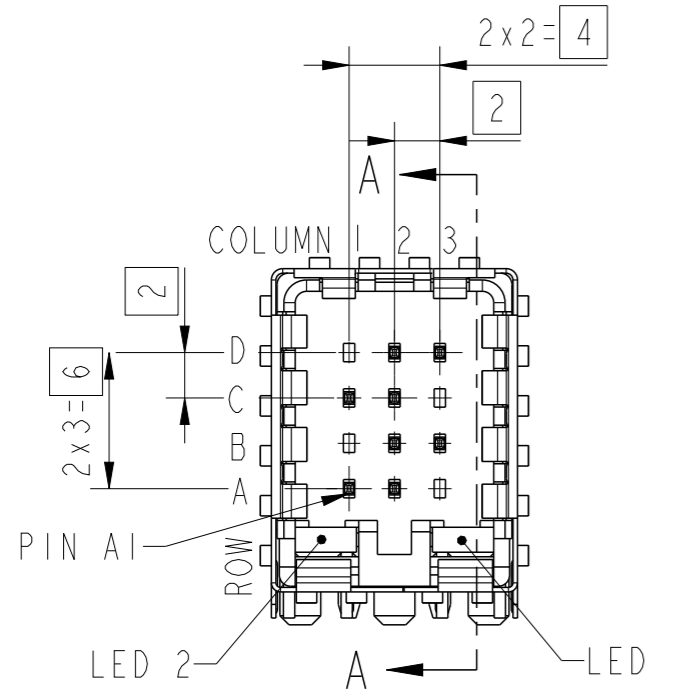
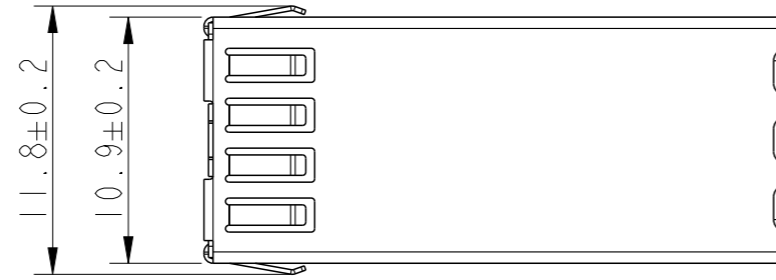
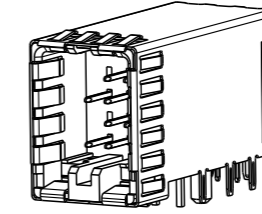
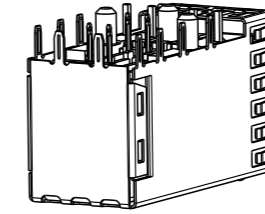


PRODUCT NUMBER  
SEE TABLE  
ON THIS SHEET

LED LOADING INFORMATION		
PART NO. (SEE NOTE 9, PAGE 5)	LED 2 LEFT	LED 1 RIGHT
10137391-100LF	NIL	NIL
10137391-101LF	YELLOW	GREEN
10137391-102LF	NIL	GREEN
10137391-103LF	YELLOW	NIL
10137391-104LF	GREEN	YELLOW
10137391-105LF	GREEN	GREEN
10137391-106LF	YELLOW	YELLOW



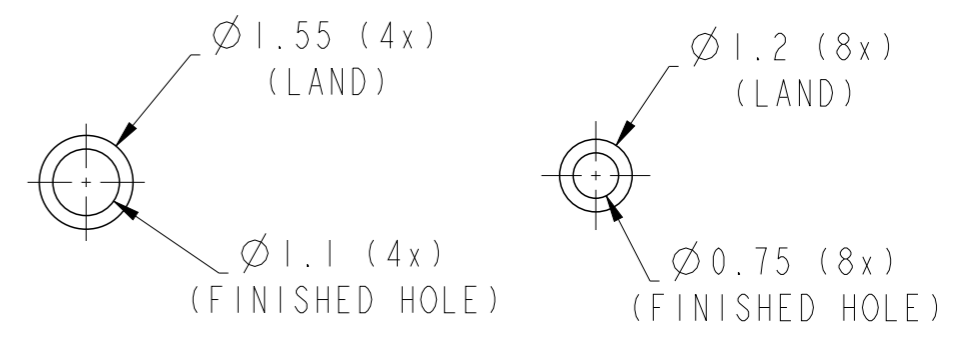
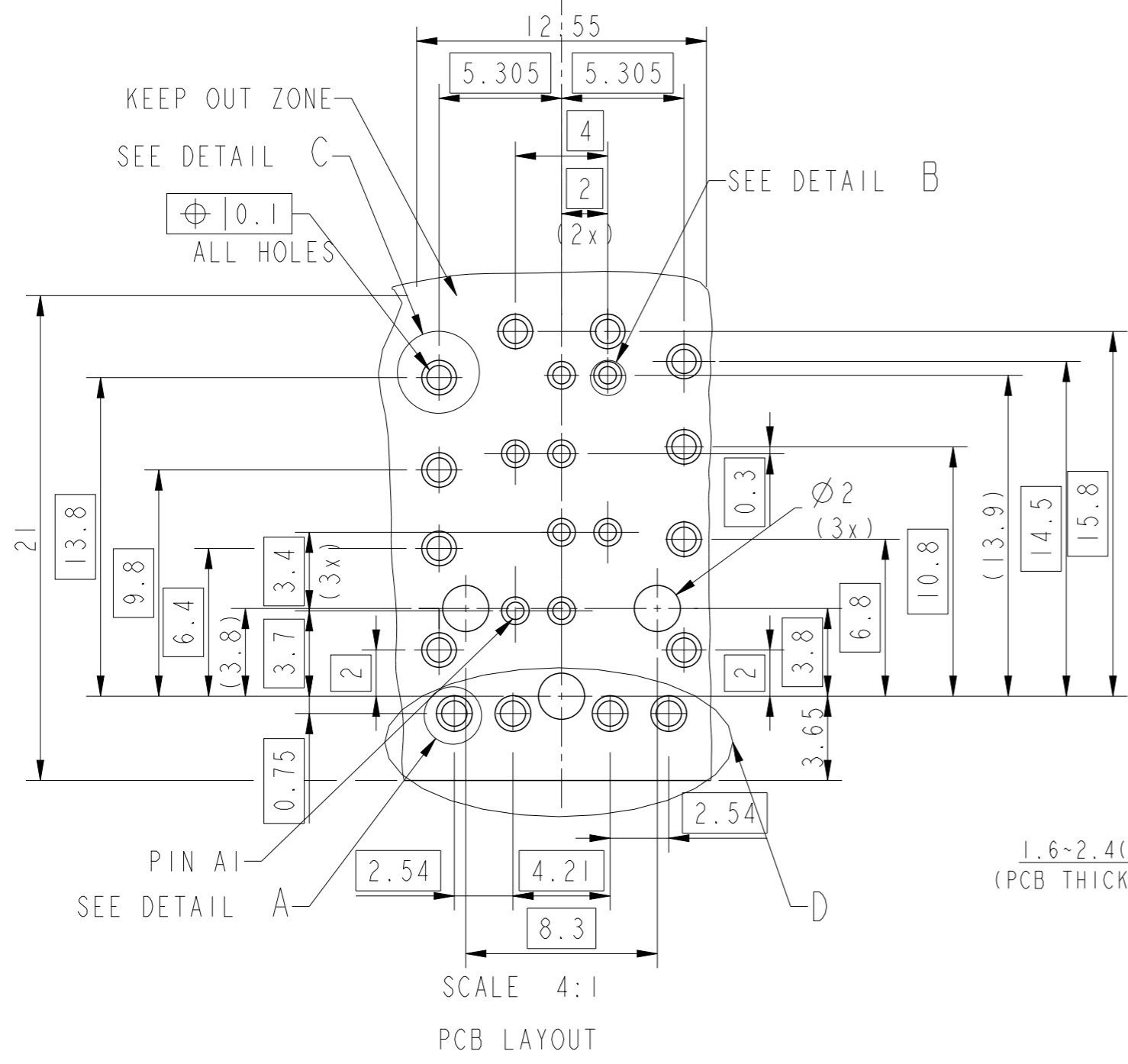
CONTACT LOADING PATTERN				
PART NO.	ROW	COLUMN 1	COLUMN 2	COLUMN 3
10137391-10XLF (SEE NOTE 9, PAGE 5)	D	-	x	x
	C	x	x	-
	B	-	x	x
	A	x	x	-

'x' DENOTES CONTACTS LOADED POSITION

spec ref	dr	Jibin John	2016/10/27	projection	MM	size	A3	scale	2:1
tolerance std	eng	Varghese, Bone	2018/05/08			ecn no	ELX-I-30091-1	rel level	Released
ISO 406 ISO 1101	chr	-	product family						
surface	appr	Varma Sudhir	2018/05/08	<b>Amphenol FCI</b>		title RIGHT ANGLE SHIELDED BOARD CONNECTOR BOLTRACK		cat. no. -	Product - Customer Drw
ISO 1302	linear	0.X	±0.3	title RIGHT ANGLE SHIELDED BOARD CONNECTOR BOLTRACK	dwg no 10137391	rev D	sheet 1 of 5		
	angular	0°	±2°	Product - Customer Drw		sheet 1 of 5			

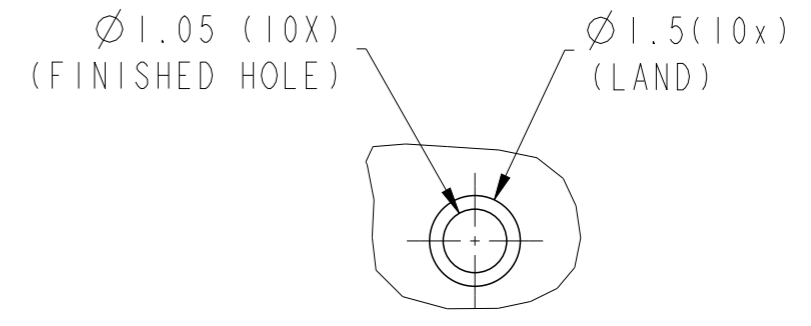
VIEW FROM COMPONENT SIDE

PCB



DETAIL A  
SCALE 8:1  
LED HOLES

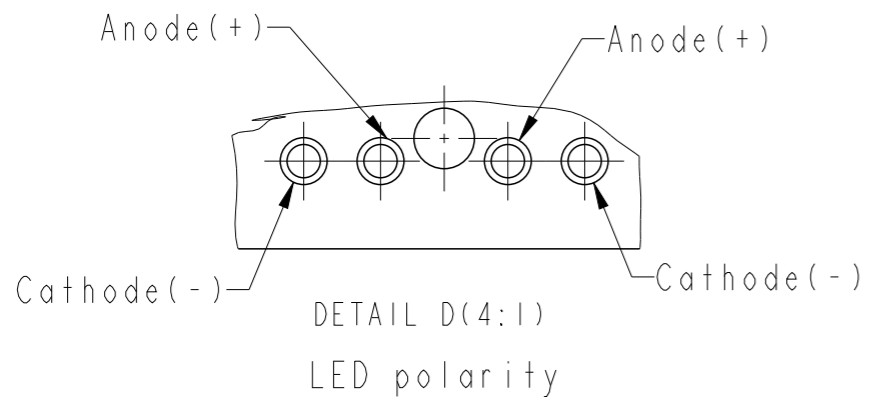
DETAIL B  
SCALE 8:1  
SIGNAL HOLES



DETAIL C  
SCALE 8:1  
SHIELD HOLES

1.6~2.4(±10%)  
(PCB THICKNESS)

	SIGNAL PTH DETAILS	SHIELD PTH DETAILS	LED PTH DETAILS
DRILLED HOLE	0.82-0.87mm	1.12-1.17mm	1.17-1.22mm
COPPER PLATING	25-50µm	25-50µm	25-50µm
TIN PLATING	0.8-1.2µm	0.8-1.2µm	0.8-1.2µm
FINISHED HOLE DIA	0.70-0.80mm	1.00-1.10mm	1.05-1.15mm

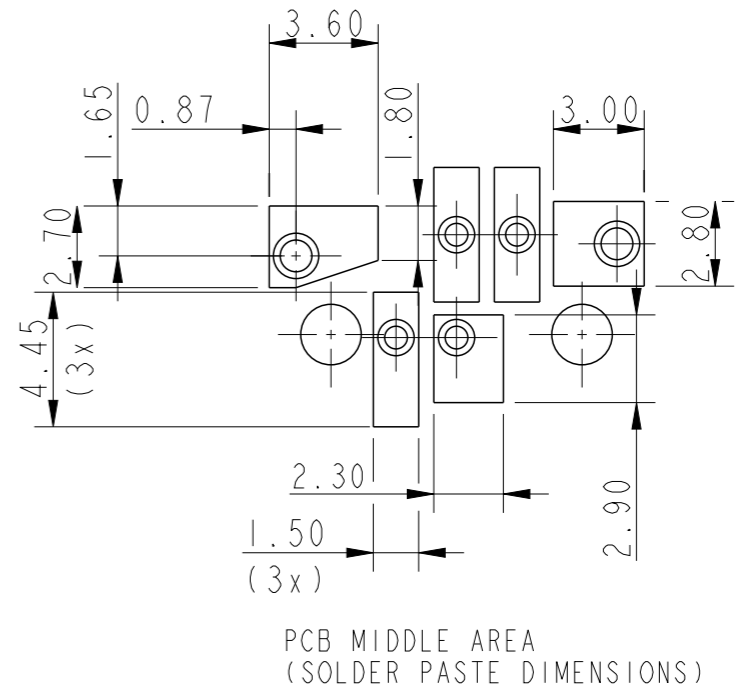
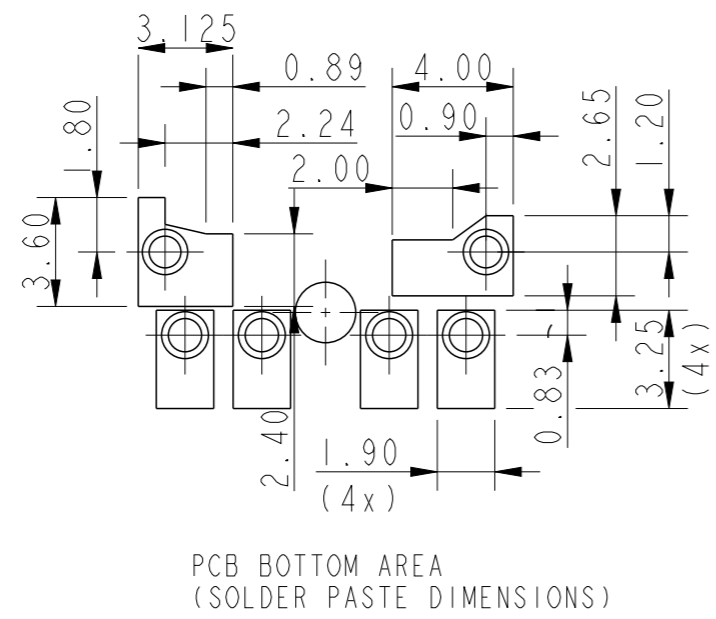
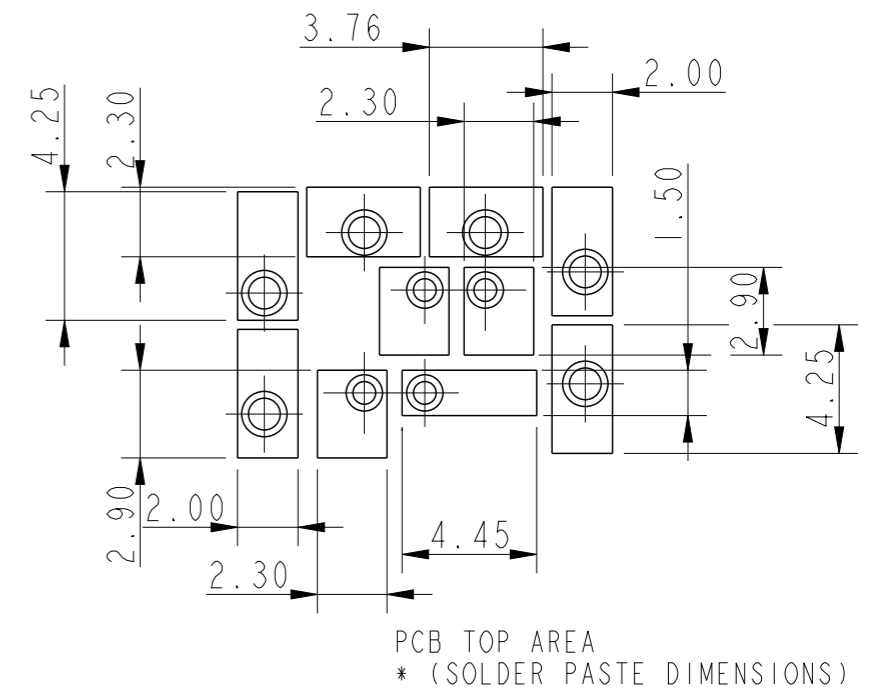
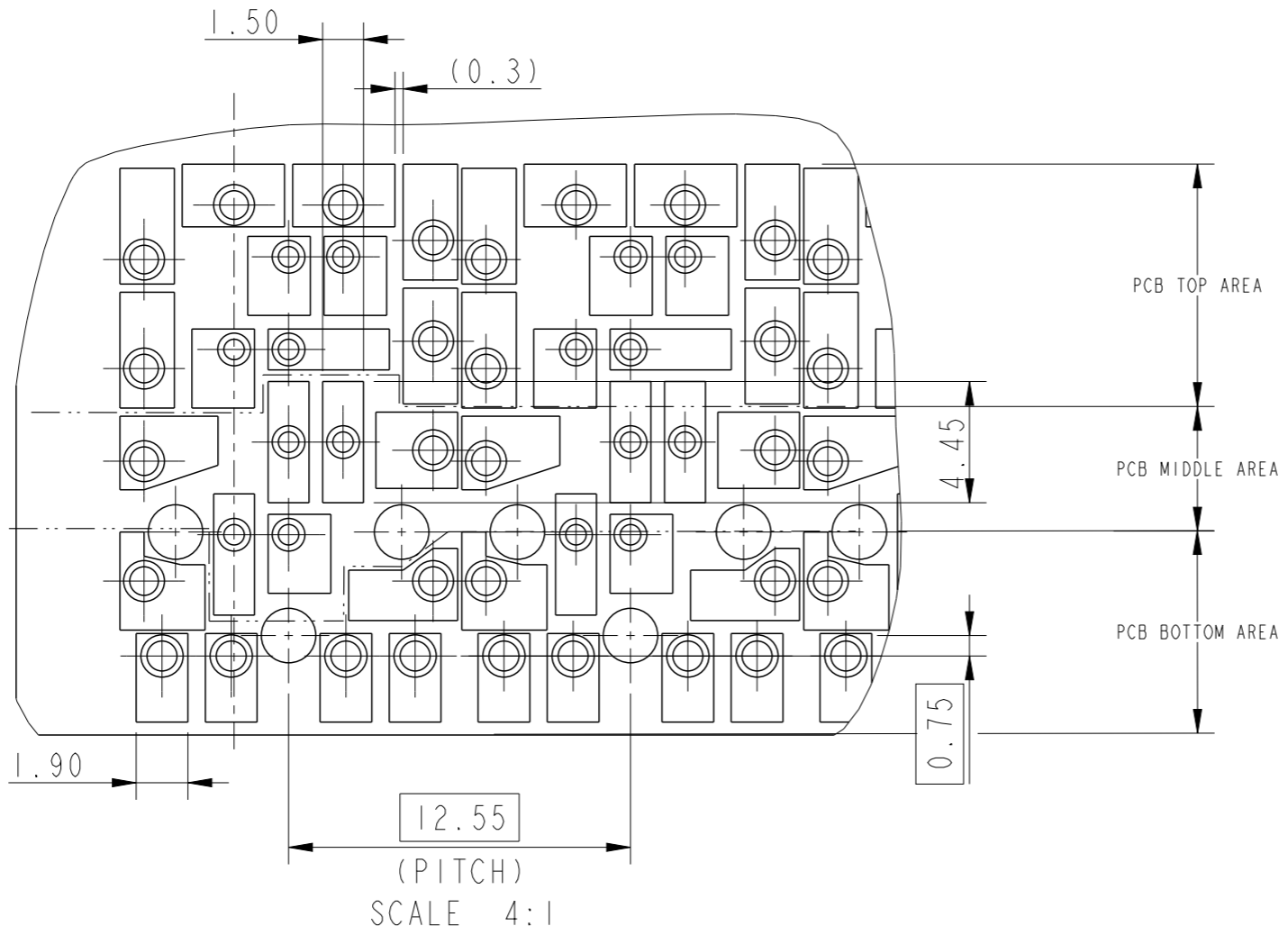


DETAIL D(4:1)  
LED polarity

spec ref	dr	Jibin John	2016/10/27	projection	MM	size	A3	scale	2:1
tolerance std	eng	Varghese, Bone	2018/05/08			ecn no	ELX-I-30091-1	rel level	Released
ISO 406 ISO 1101	chr	-	-						
surface	linear	0.X	±0.3	product family	BOLTRACK	dwg no	10137391	rev	D
		0.XX	±0.13						
ISO 1302	angular	0°	±2°	cat. no.	-	Product - Customer Drw	sheet 2 of 5		



RIGHT ANGLE SHIELDED BOARD CONNECTOR  
BOLTRACK

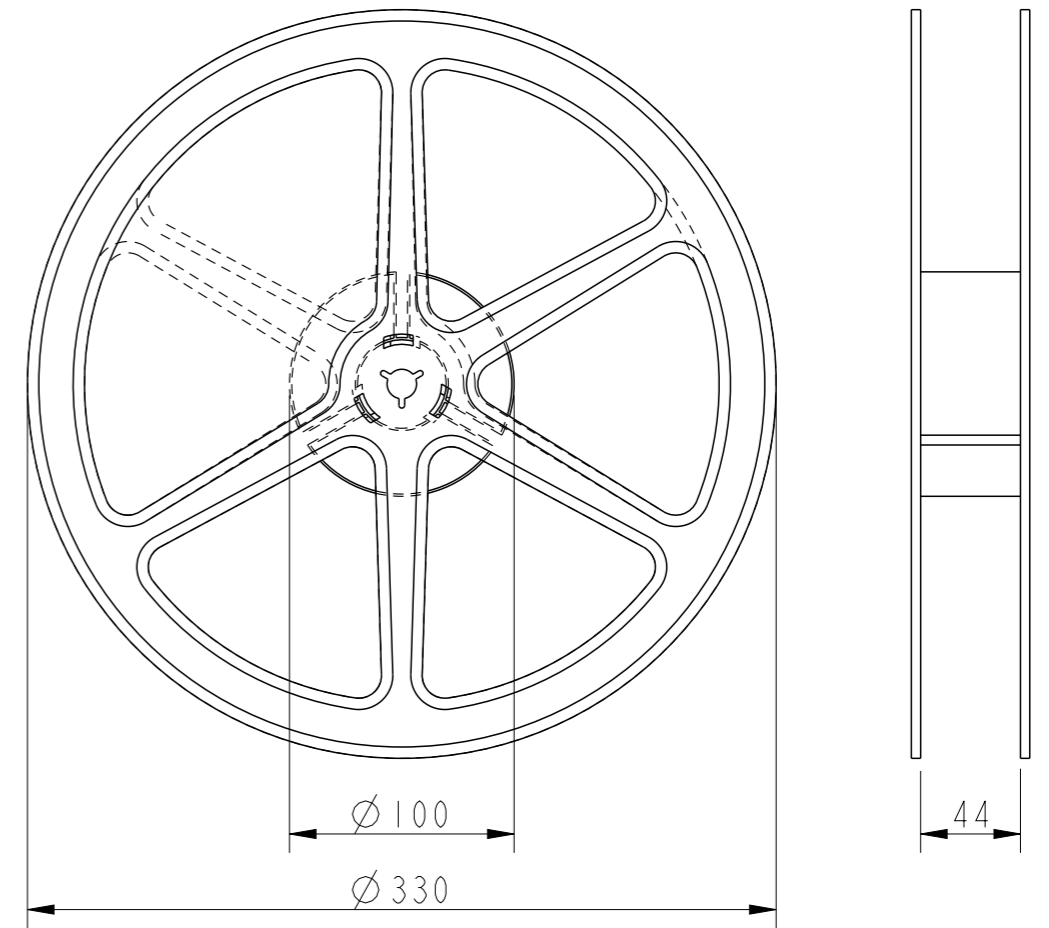
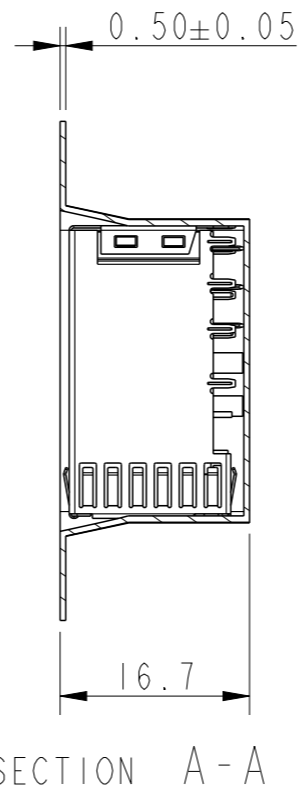
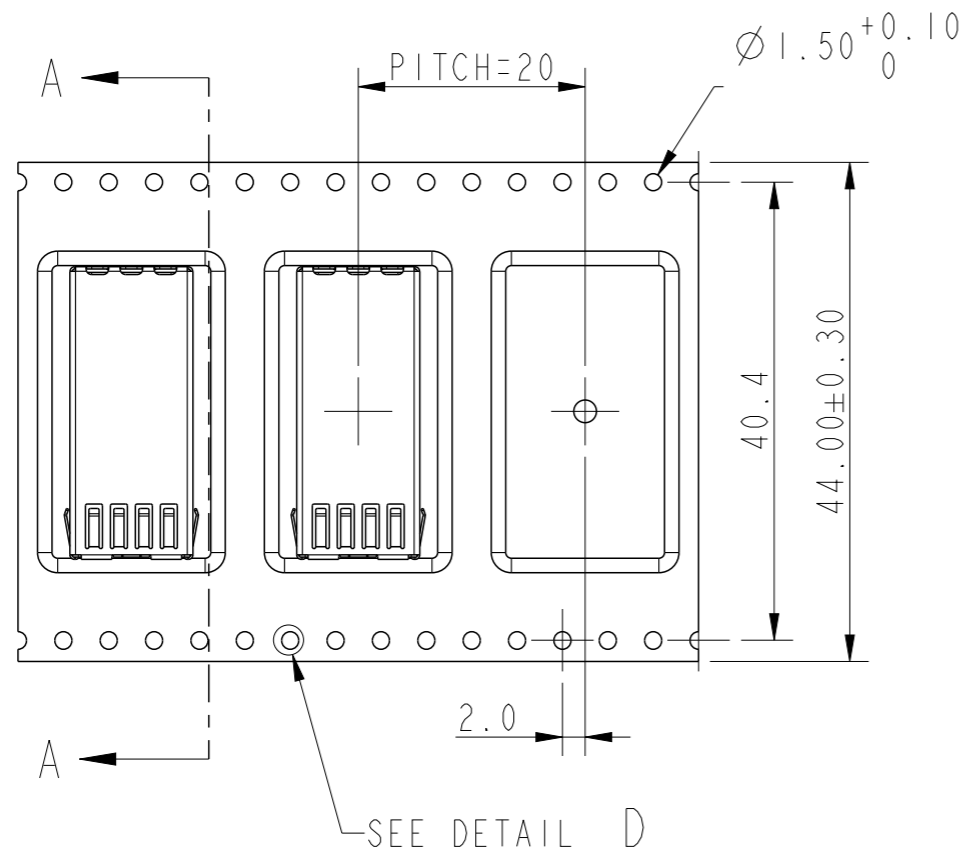


\* THICKNESS OF SOLDER PASTE IS 0.125 MM

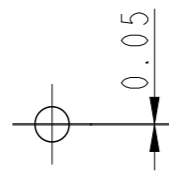
spec ref	dr	Jibin John	2016/10/27	projection	MM	size	A3	scale	2:1
tolerance std	eng	Varghese, Bone	2018/05/08			ecn no	ELX-I-30091-1	rel level	Released
ISO 406 ISO 1101	chr	-	-						
surface	linear	0.X	±0.3	<b>Amphenol FCI</b>	title RIGHT ANGLE SHIELDED BOARD CONNECTOR BOLTRACK	dwg no 10137391	rev D	Product - Customer Drw	
		0.XX	±0.13						
		0.XXX	±0.050						
ISO 1302	angular	0°	±2°	cat. no.	-	sheet 3 of 5			

© 2016 AFCI  
 Amphenol FCI

PACKAGING SPECIFICATION



DIRECTION OF FEED →



DETAIL D  
SCALE 3:1

TAPE & REEL PACKING DETAILS

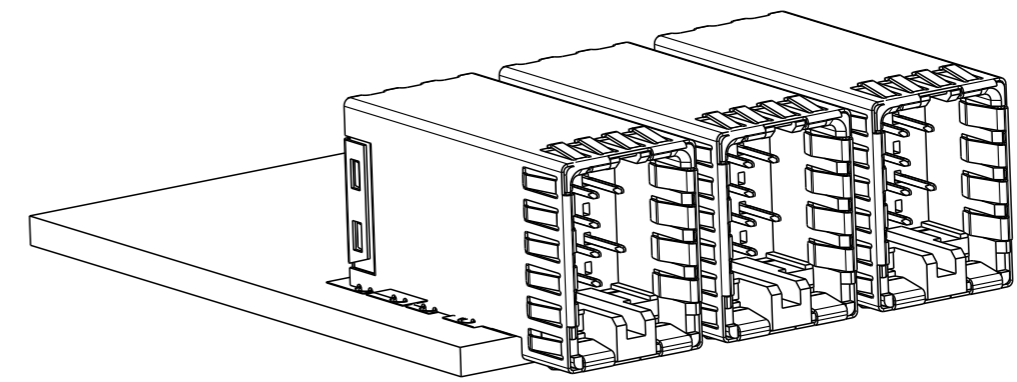
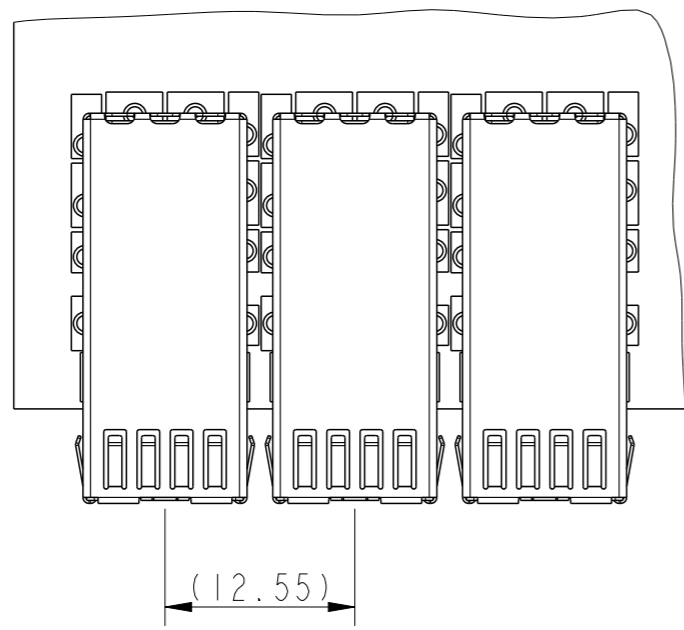
NOTES:

1. PACKAGING DETAILS AS PER EIA-481 STD.
2. PACKING SHOULD BE ANTISTATIC.
3. MATERIAL :  
CARRIER TAPE : POLYSTYRENE  
COVER TAPE : POLYSTYRENE

spec ref		dr	Jibin John	2016/10/27	projection	MM	size	A3	scale	1:1		
tolerance std		eng	Varghese, Bone	2018/05/08			ecn no		ELX-I-30091-1			
ISO 406 ISO 1101		chr	-	-			rel level		Released			
TOLERANCES UNLESS OTHERWISE SPECIFIED		appr	Varma Sudhir	2018/05/08	product family		BOLTRACK					
surface	linear	0.X	±0.3			RIGHT ANGLE SHIELDED BOARD CONNECTOR		dwg no	10137391		rev	D
		0.XX	±0.13			BOLTRACK						
		0.XXX	±0.050			cat. no.		-		Product - Customer Drw		sheet 4 of 5
ISO 1302	angular	0°	±2°									

A

B



A

B

Amphenol  
FCi

© 2016 AFCI

C

D

NOTES:

- 1. MATERIAL :  
-RESIN - LCP, GLASS FILLED, FLAME RETARDANT ACC FLAMMABILITY CLASIFICACION - UL94-V0  
-SIGNAL CONTACTS - COPPER ALLOY  
-CAGE - COPPER ALLOY
- 2. PLATING :  
-GOLD OVER PALLADIUM NICKEL ON CONTACT AREA OF SIGNALS PURE TIN AT TERMINAL AREA OF SIGNALS
- 3. PRODUCT SPECIFICATION: GS-XX-XXX
- 4. APPLICATION SPECIFICATION: GS-XX-XXX
- 5. PACKAGING - TAPE & REEL / TRAY  
PACKAGING SPECIFICATION: GS-XX-XXX

- 6. UNDER PLATING FOR CONTACTS IS 1.27μ NICKEL.
- 7. PRODUCT WILL WITHSTAND EXPOSURE TO 260° FOR 60 SECONDS IN A CONVECTION, INFRA RED OR VAPOUR PHASE REFLOW OVEN
- 8. PRODUCT WHERE THE PARTNUMBER ENDS IN LF MEETS EUROPEAN DIRECTIVES AND OTHER COUNTRY REGULATIONS AS DESCRIBED IN GS-47-0004.
- 9. FOR TRAY PACKAGING THE PART NUMBER WOULD BE 10137391-10XPLF

C

D

spec ref		dr	Jibin John	2016/10/27	projection	MM	size	A3	scale	2:1		
tolerance std		eng	Varghese, Bone	2018/05/08			ecn no		ELX-I-30091-1			
ISO 406 ISO 1101		chr	-	-			rel level		Released			
TOLERANCES UNLESS OTHERWISE SPECIFIED		appr	Varma Sudhir	2018/05/08	product family		BOLTRACK					
surface	linear	0.X	±0.3		<b>Amphenol FCi</b>	RIGHT ANGLE SHIELDED BOARD CONNECTOR		dwg no	10137391		rev	D
		0.XX	±0.13									
		0.XXX	±0.050			BOLTRACK						
ISO 1302	angular	0°	±2°		cat. no.	-	Product - Customer Drw		sheet 5 of 5			