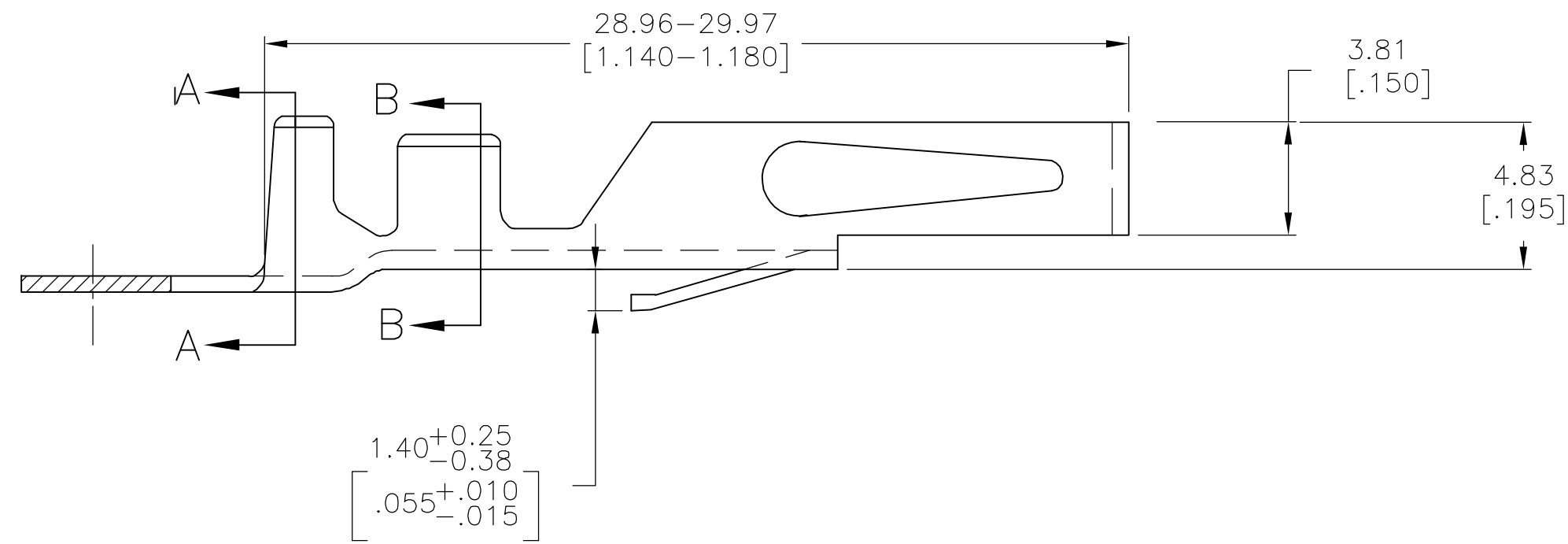
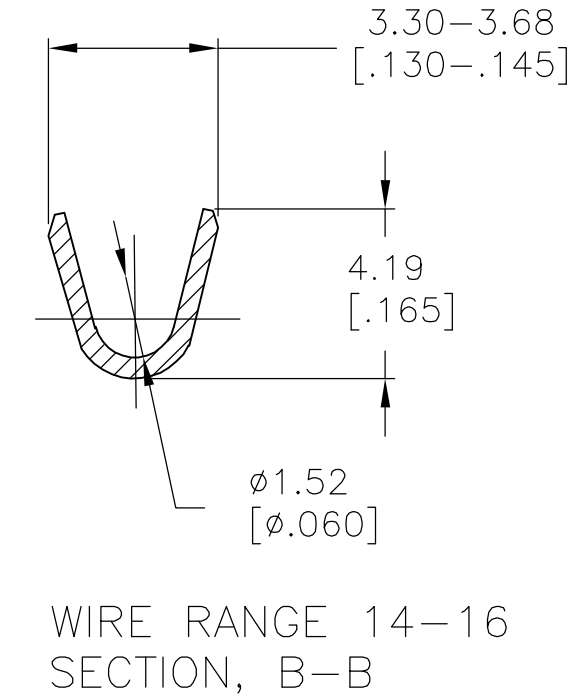
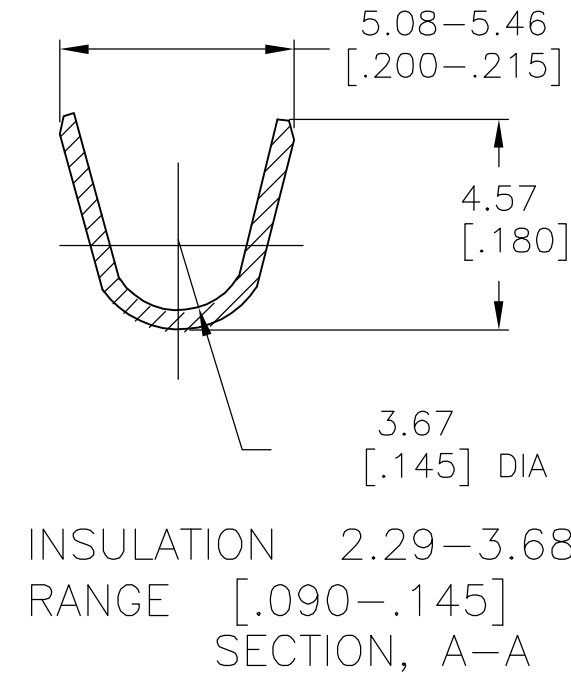
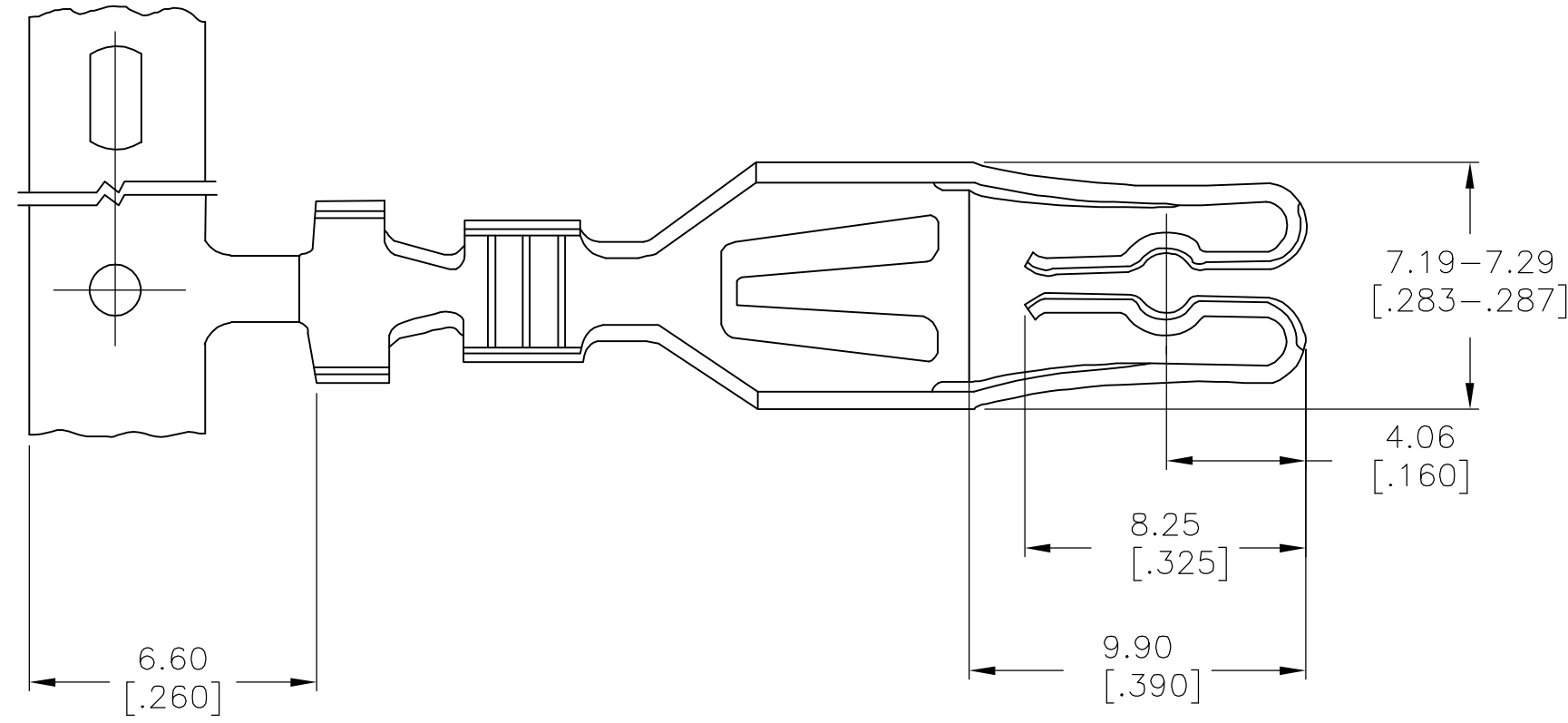


THIS DRAWING IS UNPUBLISHED. RELEASED FOR PUBLICATION  
 © COPYRIGHT BY TYCO ELECTRONICS CORPORATION. ALL RIGHTS RESERVED.

LOC		DIST		REVISIONS			
P	LTR	DATE	DWN	APVD			
AD	00	J	EC 0G3C 0067 05	22NOV05	BSV	MM	



- ① 0.0038[.000150] BRIGHT TIN OVER 0.00076[.000030] NICKEL
- ② SILVER PLATE .0038[.000150] MIN THK ALL OVER.
- ③ 0.0038[.000150] MATTE TIN OVER 0.00076[.000030] NICKEL

③	5-530517-2
②	530517-3
①	530517-2
FINISH	PART NO

THIS DRAWING IS A CONTROLLED DOCUMENT.		DWN	15 MAY 75	Tyco Electronics Corporation Harrisburg, Pa 17105-3608
DIMENSIONS: mm [INCHES]		CHK	15 MAY 75	
TOLERANCES UNLESS OTHERWISE SPECIFIED:		APVD	16 MAY 75	
0 PLC ± - 1 PLC ± - 2 PLC ± - 3 PLC ± .005 4 PLC ± - ANGLES ± - FINISH -	PRODUCT SPEC - APPLICATION SPEC - WEIGHT -	NAME		SIZE A2 CAGE CODE 00779 DRAWING NO C=530517 RESTRICTED TO -
MATERIAL ALLOY CDA-195 1/2 HARD		CUSTOMER DRAWING		SCALE 5:1 SHEET 1 OF 1 REV J