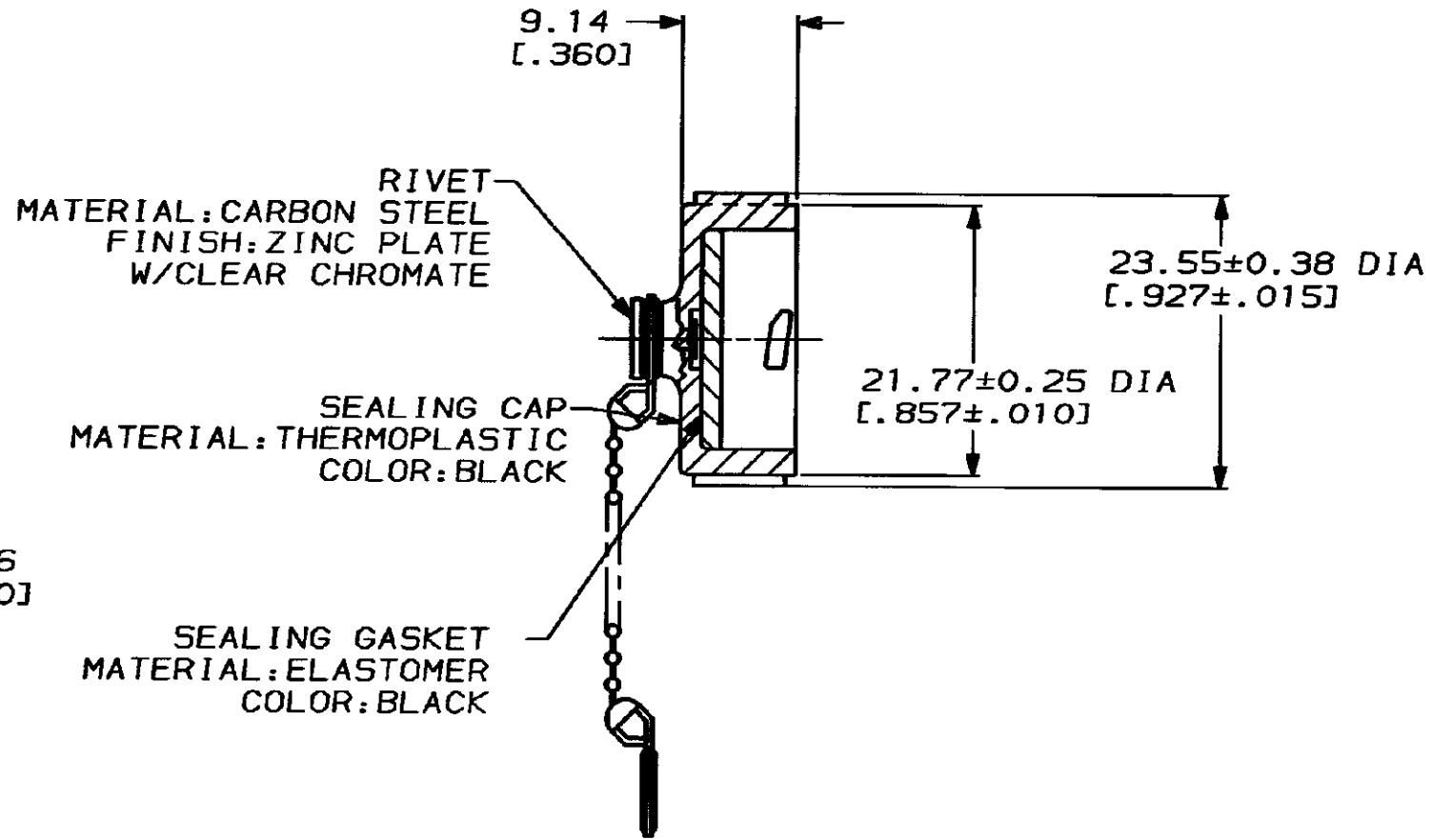
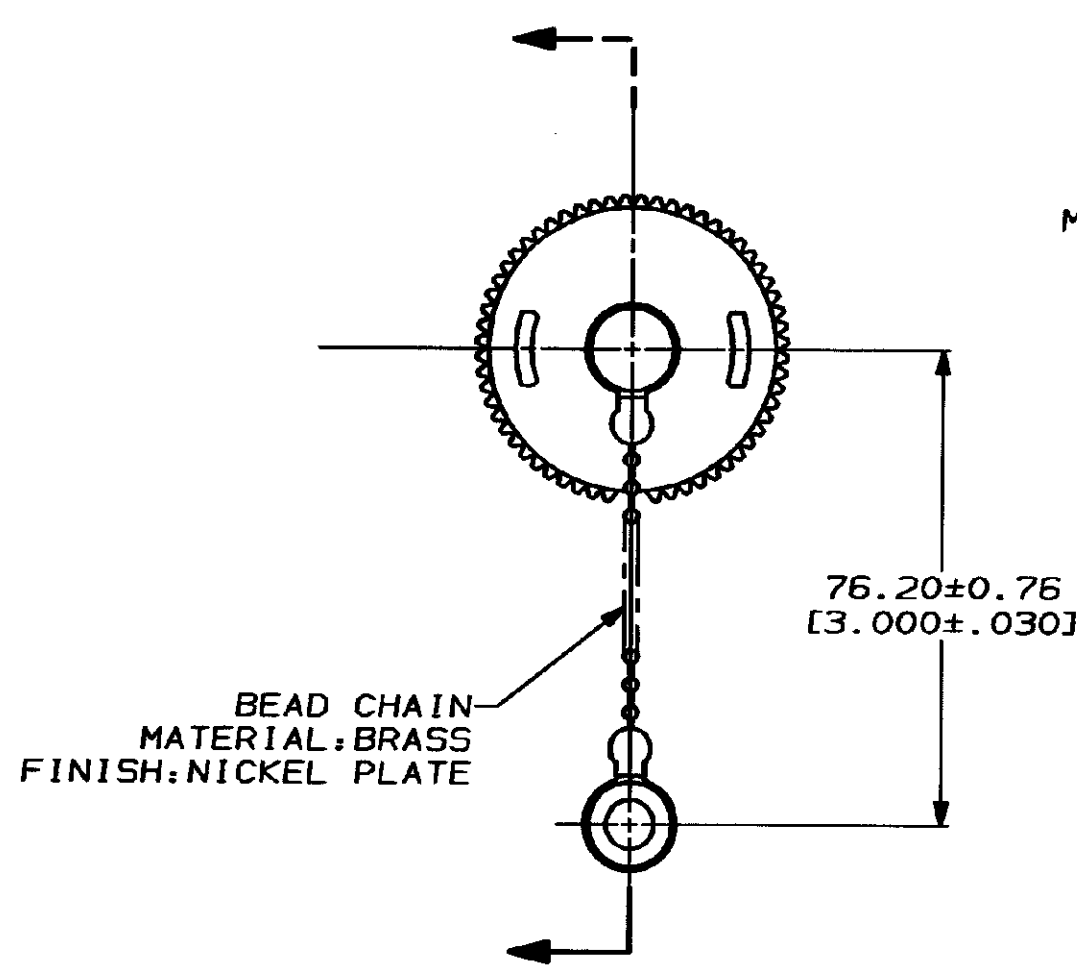


DRAWING MADE IN THIRD ANGLE PROJECTION

THIS DRAWING IS UNPUBLISHED. RELEASED FOR PUBLICATION .19  
 © COPYRIGHT 19 BY AMP INCORPORATED. ALL INTERNATIONAL RIGHTS RESERVED.

MOD	LOC	DIST	P	F	ZONE	LTR	DESCRIPTION	DATE	APPD
4	BD	35				A	REDRAWN & REV PER EC 0020-680-93	6-9-93	AF



208800-1  
PART NUMBER

DO NOT SCALE PRINT. UNLESS SPECIFIED DIMENSIONS IN INCHES TOLERANCES ON: 1 PLC DEC ± 0.13(.005) 2 PLC DEC ± - 3 PLC DEC ± - ANGLES ± -		DR 6-8-93 D. BROCKMAY	AMP AMP Incorporated Harrisburg, PA 17105-3608
MATERIAL SEE CALLOUTS		CHK 7-1-93 R. STONE	
FINISH SEE CALLOUTS		APPD 7-1-93 AL. FRANTUM	NAME SEALING CAP ASSY, SIZE 11, WITH BEAD CHAIN, CPC
		PRODUCT SPEC -	SIZE B
		APPLICATION SPEC -	CAGE CODE 00779
		WEIGHT -	DRAWING NO C-208800
			SCALE 2:1
			SHEET 1 OF 1

THIS DRAWING IS A CONTROLLED DOCUMENT FOR AMP INCORPORATED. IT IS SUBJECT TO CHANGE AND THE CONTROLLING ENGINEERING ORGANIZATION SHOULD BE CONTACTED FOR THE LATEST REVISION.

AMP 1470-15 REV 3-92

CUSTOMER DRAWING