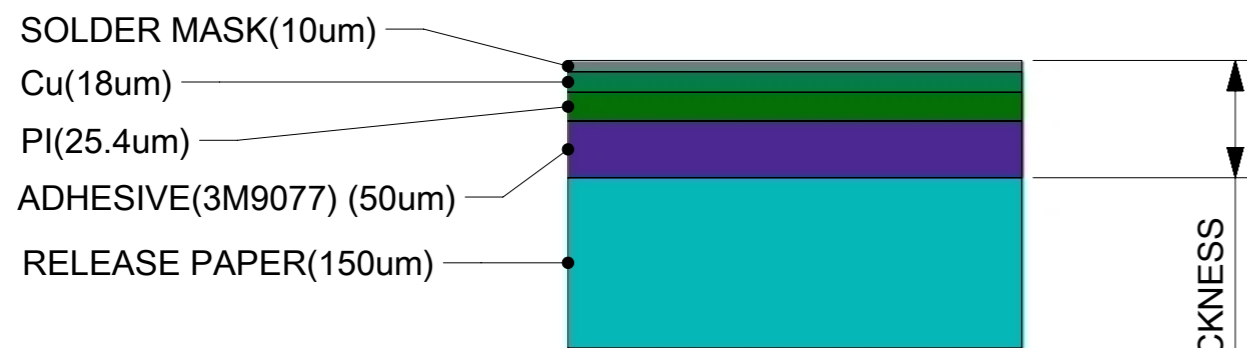
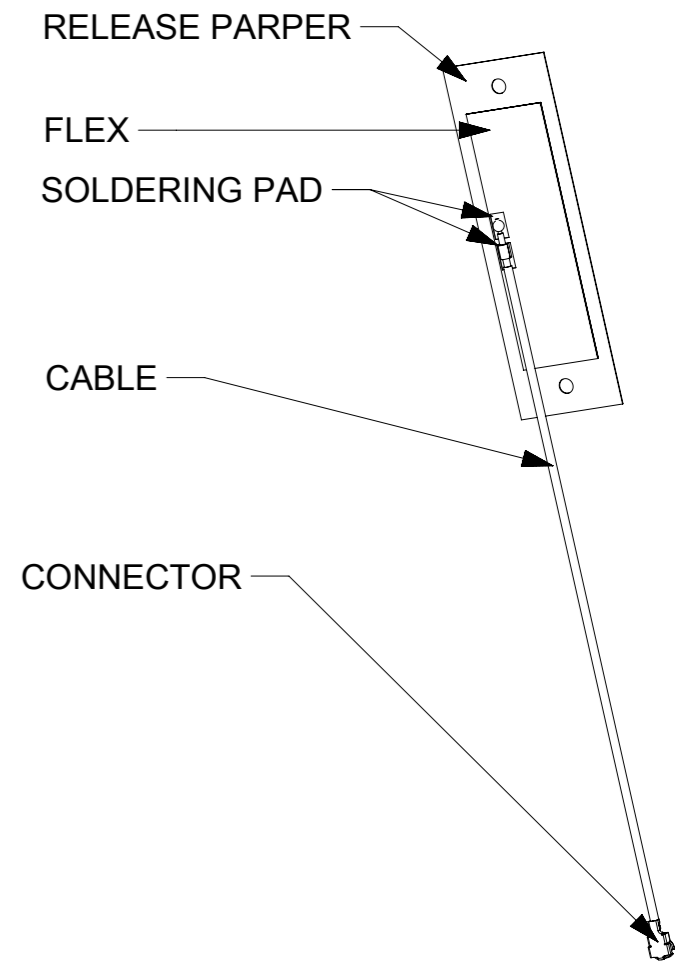
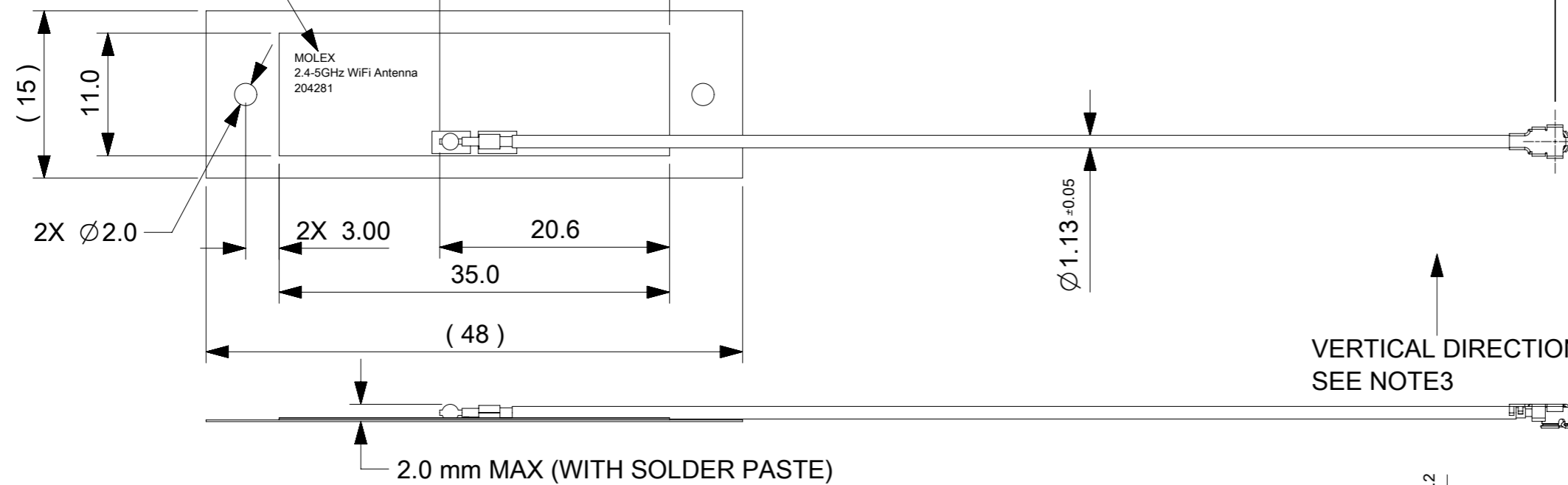
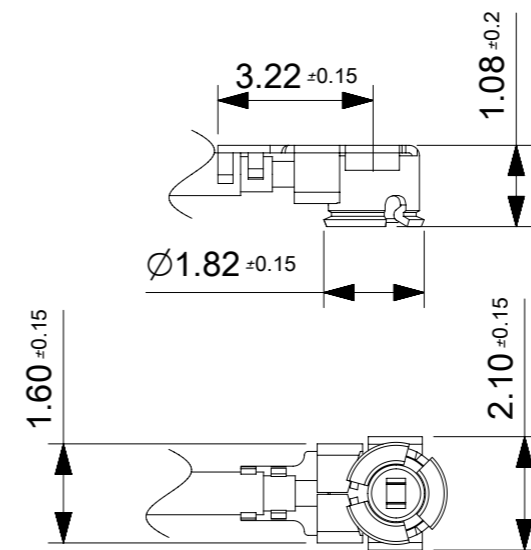


MOLEX SERIES NO.
ANTENNA INFORMATION
(TEXT COLOR IN WHITE)



FLEX LAYER

0.10 FLEX THICKNESS



CONNECTOR

ITEM	MATERIAL NO.	DIM "A"	DIM "B"
1	2042811050	50mm	29.4mm
2	2042811100	100mm	79.4mm
3	2042811150	150mm	129.4mm
4	2042811200	200mm	179.4mm
5	2042811250	250mm	229.4mm
6	2042811300	300mm	279.4mm

- NOTE:
- MATERIAL:
FLEX: SEE FLEX LAYER
CABLE: Ø1.13mm
CONNECTOR: I-PEX MHF4L PLUG P/N: 20565-001R-13
 - SOLDER MASK COLOR: BLACK
 - CAN'T LIFT UP CABLE IN VERTICAL DIRECTION
 - APPLICATION SPEC REFER TO AS OF 2042810100
 - PRODUCT SPEC REFER TO PS OF 2042810100
 - PACKAGING SPEC REFER TO PK OF 2042810100

<p>THIS DRAWING CONTAINS INFORMATION THAT IS PROPRIETARY TO MOLEX ELECTRONIC TECHNOLOGIES, LLC AND SHOULD NOT BE USED WITHOUT WRITTEN PERMISSION</p>			
<p>QUALITY SYMBOLS</p> <p>▽A = 0</p> <p>▽E = 0</p> <p>▽F = 0</p> <p>▽ = 0</p> <p>▽C = 0</p> <p>⊠ = 0</p> <p>■ = 0</p> <p>▽ = 0</p>	<p>2018/01/24</p> <p>2018/01/25</p> <p>2018/01/31</p>	<p>GENERAL TOLERANCES (UNLESS SPECIFIED)</p> <p>ANGULAR TOL ± °</p> <p>4 PLACES ±</p> <p>3 PLACES ± 0.05</p> <p>2 PLACES ± 0.15</p> <p>1 PLACE ± 0.2</p> <p>0 PLACES ± 0.5</p>	<p>DIMENSION UNITS</p> <p>mm</p>
			<p>SCALE</p> <p>2:1</p>
<p>EC NO: 171309</p> <p>DRWN: KCHENG06</p> <p>CHK'D: KCHENG06</p> <p>REV APPR: XJSONG</p>	<p>DRWN BY</p> <p>KCHENG06</p>	<p>DATE</p> <p>2017/11/02</p>	<p>DRWN BY</p> <p>CXU11</p>
			<p>DATE</p> <p>2017/11/03</p>
<p>DRAFT WHERE APPLICABLE MUST REMAIN WITHIN DIMENSIONS</p>	<p>DRAWING SIZE</p> <p>A3</p>	<p>THIRD ANGLE PROJECTION</p>	<p>APPR BY</p> <p>XJSONG</p>
			<p>DATE</p> <p>2017/11/06</p>
<p>RELEASE STATUS</p> <p>P1</p>		<p>RELEASE DATE</p> <p>2018/01/31 01:46:53</p>	
<p>DOCUMENT NUMBER</p> <p>2042811100</p>		<p>DOC TYPE</p> <p>PSD</p>	<p>DOC PART</p> <p>000</p>
<p>SERIES</p> <p>204281</p>		<p>CUSTOMER</p> <p>SEE TABLE</p>	
<p>SHEET NUMBER</p> <p>1 OF 1</p>		<p>PRODUCT CUSTOMER DRAWING</p>	