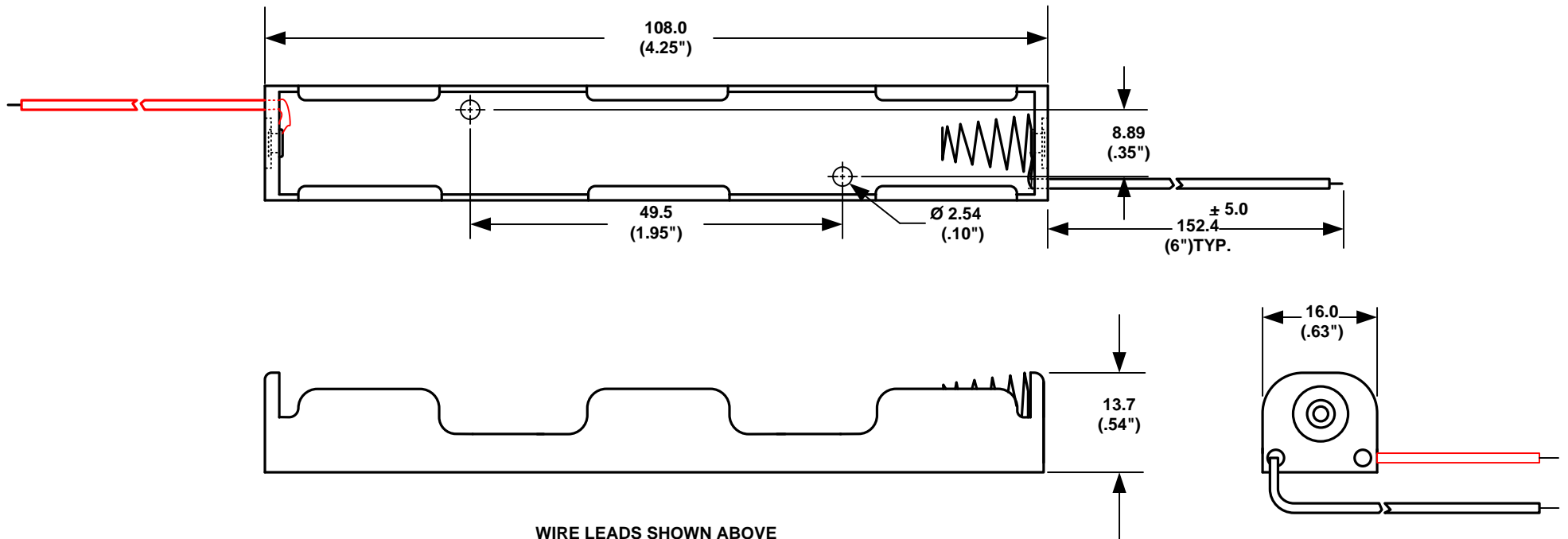


ORDERING CODE BC12AA

SOLDER LUGS = L  
 (6") WIRE LEADS = W  
 9 VOLT TYPE SNAPS = SF

DATE	SYM	REVISION RECORD	AUTH	DR.	CK.
5/06/06	C	ADDED CONTACT RESI. INFO.	T.B.	B.S.	
1/12/08	D	RANGE WAS "RANGEE"	T.B.	B.S.	
2/22/13	E	DIM. 16.00 WAS 16.20 DIM. 108.0 WAS 107.9 UPDATED TO ROHS 2 COMPLIANT	T.B.	B.S.	




WIRE LEADS SHOWN ABOVE

**SPECIFICATIONS :**

Plastic material - polypropylene  
 Flammability Rating-UL94 HB, UL File No. E216959  
 Temperature Range: -10°C to +100°C  
 Springs - nickel plated spring steel Wire - 152.4 mm Ref.Long 26 AWG,  
 UL1007, CSA - TR-64, 300V, 80° C.  
 Rivets - Brass, nickel plated  
 9 Volts Snaps - Brass, nickel plated  
 Contact Resistance: Under 50mΩ for +/- contacts per EIA-540J000  
 ROHS 2 COMPLIANT

**Note:** Dimensions in mm. ( inches )

TOLERANCES (EXCEPT AS NOTED)	 <b>Memory Protection Devices, Inc.</b> 200 Broad Hollow Road, Farmingdale, New York 11735		
DECIMAL + .5 (.020") - .5 (.020")	SCALE NONE	DRAWN BY S.C. APPROVED BY	
FRACTIONAL + .8 (.030") - .8 (.030")	TITLE <b>TWO "AA" CELL HOLDER</b>		
ANGULAR + 3° - 3°	DATE 2/22/2013	DRAWING NUMBER <b>BC12AAW</b>	