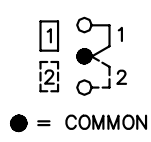
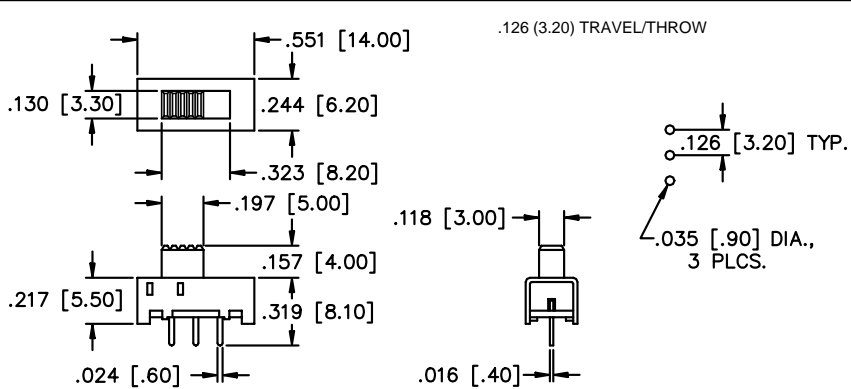

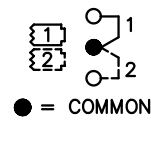
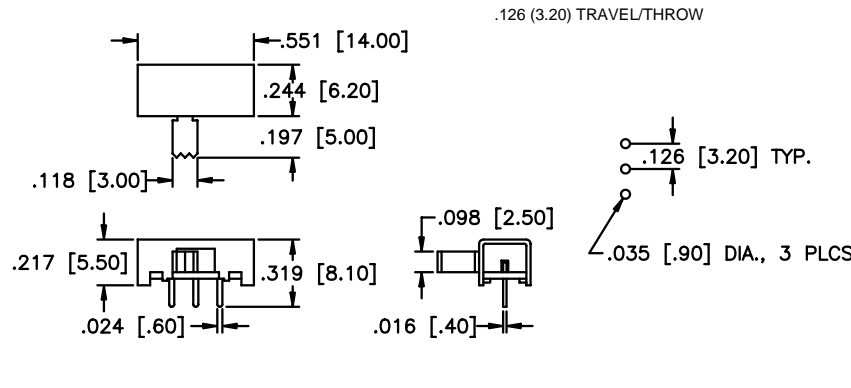

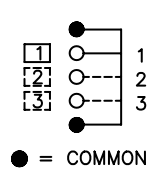
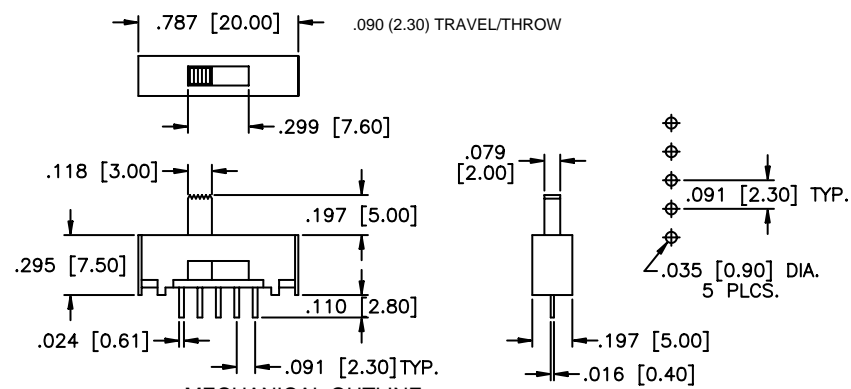
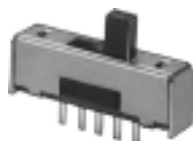


# SLB Series

(with p.c. board stand-off bracket)

## Miniature Slide Switches

SPECIFICATIONS	FEATURES
<p><b>Contact ratings:</b> 300 mA at 125 VAC or 30 VDC</p> <p><b>Initial contact resistance:</b> 20 milliohms max.</p> <p><b>Insulation resistance:</b> 100 megohms min. at 500 VDC</p> <p><b>Dielectric strength:</b> 500 volts RMS for 1 minute</p> <p><b>Electrical life:</b> 10,000 cycles min.</p> <p><b>Operating temperature range:</b> -20°C to +85°C</p> <p><b>Actuation force:</b> 220g ± 100g</p> <p><b>Solder heat resistance:</b> 260°C max. for 3 seconds</p> <p><b>Solvent washing permissible</b></p>	<ul style="list-style-type: none"> <li>Miniature compact size.</li> <li>Wash-through open frame construction.</li> <li>Positive spring loaded ball detent mechanism.</li> <li>Epoxy sealed terminals.</li> </ul>
MATERIALS	
<p><b>Contacts &amp; terminals:</b> Silver plated</p> <p><b>Frame:</b> Zinc plated steel</p> <p><b>Actuator:</b> Thermoplastic</p> <p><b>Base:</b> Phenolic laminated sheet</p>	<p><b>Terminal seal:</b> Epoxy</p>

<p><b>MODEL NO.</b></p> <p style="color: red; font-weight: bold;">SLB12814</p>	<p style="font-size: 1.2em; font-weight: bold;">1P2T</p> 	
 <p>VERTICAL ACTUATOR</p>	<p>SCHEMATIC</p> <p>MECHANICAL OUTLINE</p> <p>P.C. BOARD LAYOUT</p>	
<p><b>MODEL NO.</b></p> <p style="color: red; font-weight: bold;">SLB1281R5</p>	<p style="font-size: 1.2em; font-weight: bold;">1P2T</p> 	
 <p>RIGHT ANGLE ACTUATOR</p>	<p>SCHEMATIC</p> <p>MECHANICAL OUTLINE</p> <p>P.C. BOARD LAYOUT</p>	
<p><b>MODEL NO.</b></p> <p style="color: red; font-weight: bold;">SLB1370</p>	<p style="font-size: 1.2em; font-weight: bold;">1P3T</p> 	
 <p>VERTICAL ACTUATOR</p>	<p>SCHEMATIC</p> <p>MECHANICAL OUTLINE</p> <p>P.C. BOARD LAYOUT</p>	


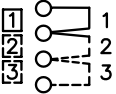
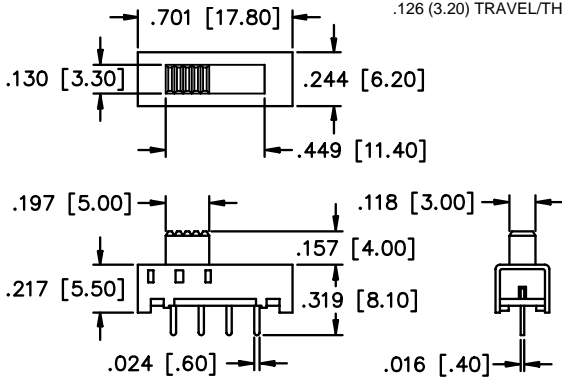
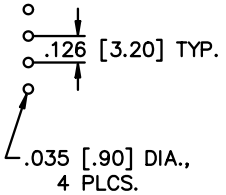

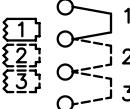
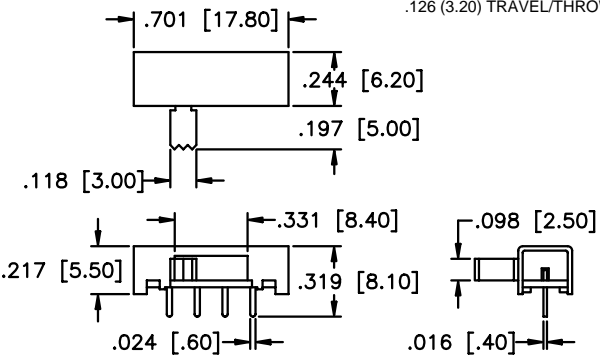
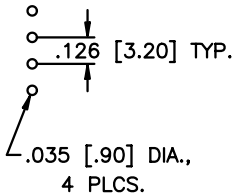
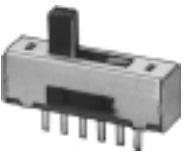
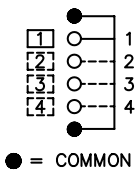
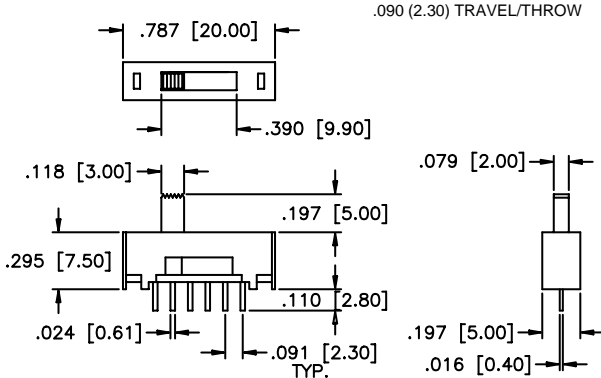
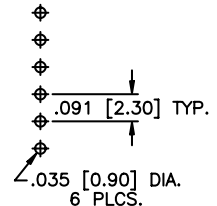

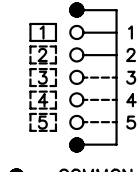
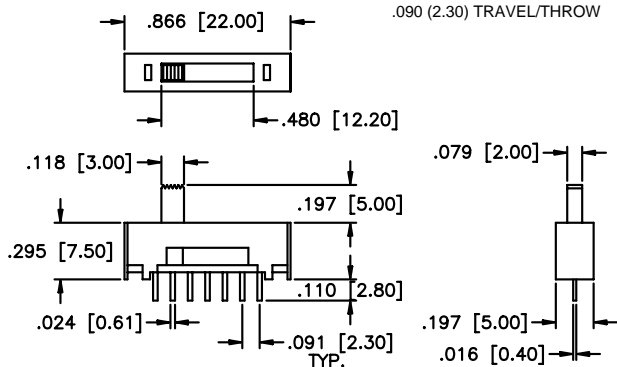
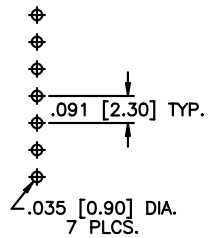
SPECIFICATIONS SUBJECT TO CHANGE WITHOUT NOTICE

# SLB Series

(with p.c. board stand-off bracket)

## Miniature Slide Switches

SPECIFICATIONS SUBJECT TO CHANGE WITHOUT NOTICE


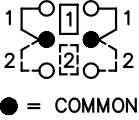
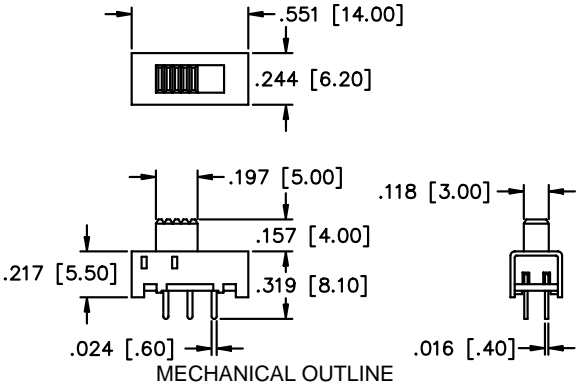
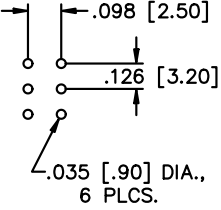

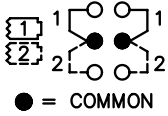
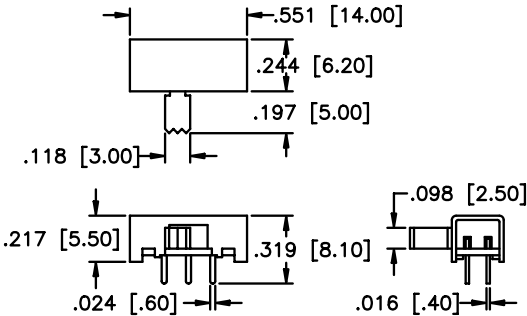
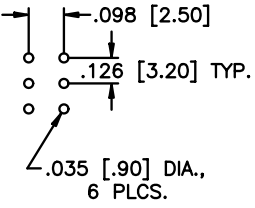

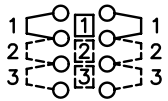
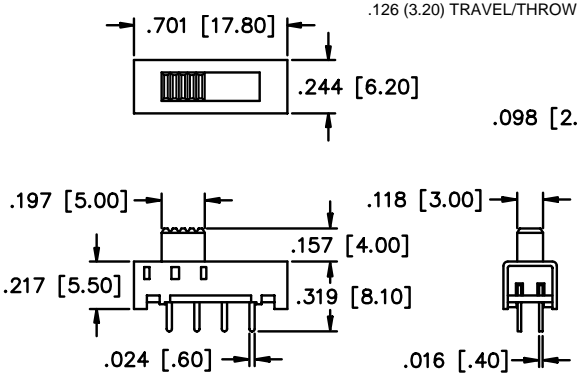
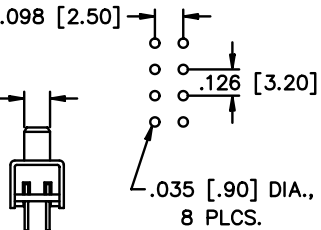

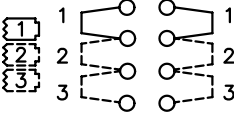
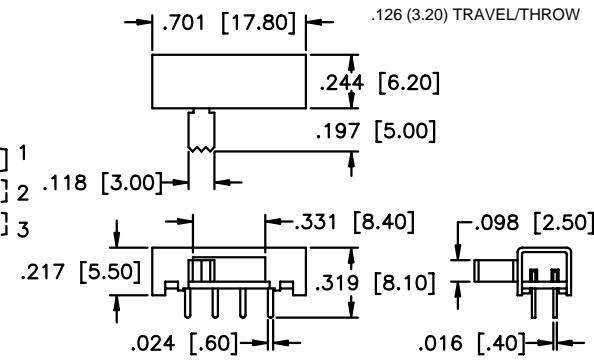
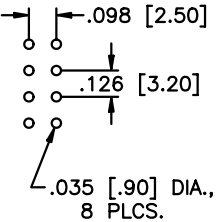
<p><b>MODEL NO.</b></p> <p><b>SLB13814</b></p>  <p>VERTICAL ACTUATOR</p>	<p><b>1P3T</b></p>  <p>SCHMATIC</p>	<p style="text-align: right;">.126 (3.20) TRAVEL/THROW</p>  <p>MECHANICAL OUTLINE</p>	 <p>P.C. BOARD LAYOUT</p>
<p><b>MODEL NO.</b></p> <p><b>SLB1381R5</b></p>  <p>RIGHT ANGLE ACTUATOR</p>	<p><b>1P3T</b></p>  <p>SCHMATIC</p>	<p style="text-align: right;">.126 (3.20) TRAVEL/THROW</p>  <p>MECHANICAL OUTLINE</p>	 <p>P.C. BOARD LAYOUT</p>
<p><b>MODEL NO.</b></p> <p><b>SLB1470</b></p>  <p>VERTICAL ACTUATOR</p>	<p><b>1P4T</b></p>  <p>SCHMATIC</p>	<p style="text-align: right;">.090 (2.30) TRAVEL/THROW</p>  <p>MECHANICAL OUTLINE</p>	 <p>P.C. BOARD LAYOUT</p>
<p><b>MODEL NO.</b></p> <p><b>SLB1570</b></p>  <p>VERTICAL ACTUATOR</p>	<p><b>1P5T</b></p>  <p>SCHMATIC</p>	<p style="text-align: right;">.090 (2.30) TRAVEL/THROW</p>  <p>MECHANICAL OUTLINE</p>	 <p>P.C. BOARD LAYOUT</p>

# SLB Series

(with p.c. board stand-off bracket)

## Miniature Slide Switches

SPECIFICATIONS SUBJECT TO CHANGE WITHOUT NOTICE

<p><b>MODEL NO.</b></p> <p><b>SLB22814</b></p>  <p>VERTICAL ACTUATOR</p>	<p><b>2P2T</b></p> <p style="text-align: right;">.126 (3.20) TRAVEL/THROW</p>  <p>● = COMMON</p>  <p>MECHANICAL OUTLINE</p>  <p>P.C. BOARD LAYOUT</p>
<p><b>MODEL NO.</b></p> <p><b>SLB2281R5</b></p>  <p>RIGHT ANGLE ACTUATOR</p>	<p><b>2P2T</b></p> <p style="text-align: right;">.126 (3.20) TRAVEL/THROW</p>  <p>● = COMMON</p>  <p>MECHANICAL OUTLINE</p>  <p>P.C. BOARD LAYOUT</p>
<p><b>MODEL NO.</b></p> <p><b>SLB23814</b></p>  <p>VERTICAL ACTUATOR</p>	<p><b>2P3T</b></p> <p style="text-align: right;">.126 (3.20) TRAVEL/THROW</p>   <p>MECHANICAL OUTLINE</p>  <p>P.C. BOARD LAYOUT</p>
<p><b>MODEL NO.</b></p> <p><b>SLB2381R5</b></p>  <p>RIGHT ANGLE ACTUATOR</p>	<p><b>2P3T</b></p> <p style="text-align: right;">.126 (3.20) TRAVEL/THROW</p>   <p>MECHANICAL OUTLINE</p>  <p>P.C. BOARD LAYOUT</p>


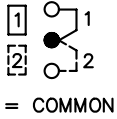
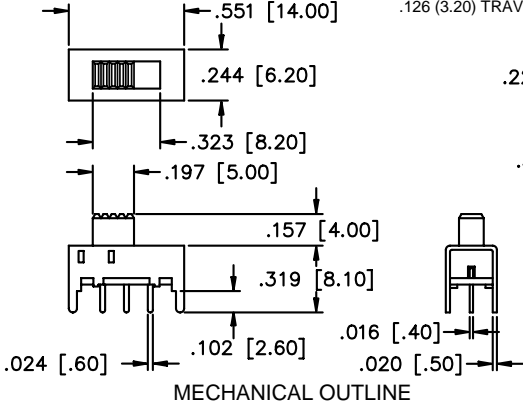
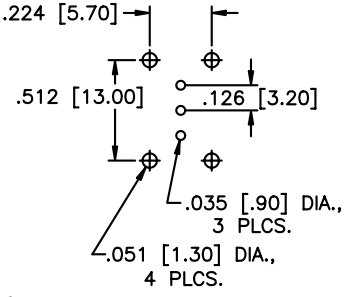


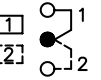
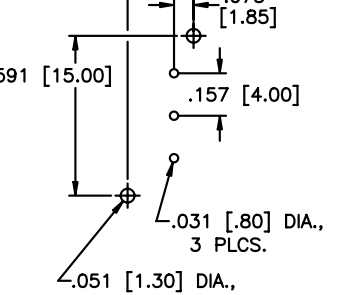
# SLB Series

(with thru- p.c. board hole mounting bracket)

## Miniature Slide Switches

SPECIFICATIONS SUBJECT TO CHANGE WITHOUT NOTICE

SPECIFICATIONS	FEATURES
<p><b>Contact ratings:</b> 300 mA at 125 VAC or 30 VDC</p> <p><b>Initial contact resistance:</b> 20 milliohms max.</p> <p><b>Insulation resistance:</b> 100 megohms min. at 500 VDC</p> <p><b>Dielectric strength:</b> 500 volts RMS for 1 minute</p> <p><b>Electrical life:</b> 10,000 cycles min.</p> <p><b>Operating temperature range:</b> -20°C to +85°C</p> <p><b>Actuation force:</b> 220g ± 100g</p> <p><b>Solder heat resistance:</b> 260°C max. for 3 seconds</p> <p><b>Solvent washing permissible</b></p>	<ul style="list-style-type: none"> <li>● <b>Miniature compact size.</b></li> <li>● <b>Wash-through open frame construction.</b></li> <li>● <b>Positive spring loaded ball detent mechanism.</b></li> <li>● <b>Epoxy sealed terminals.</b></li> </ul>
	MATERIALS
	<p><b>Contacts &amp; terminals:</b> Silver plated</p> <p><b>Frame:</b> Zinc plated steel</p> <p><b>Actuator:</b> Thermoplastic</p> <p><b>Base:</b> Phenolic laminated sheet</p> <p style="text-align: right;"><b>Terminal seal:</b> Epoxy</p>


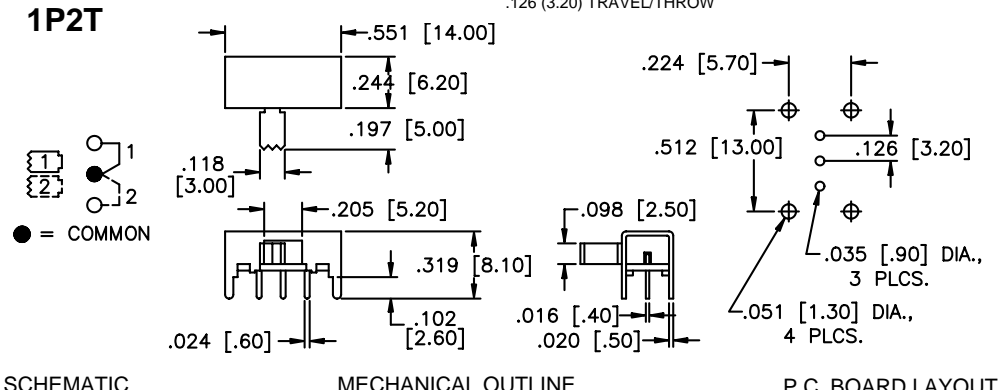

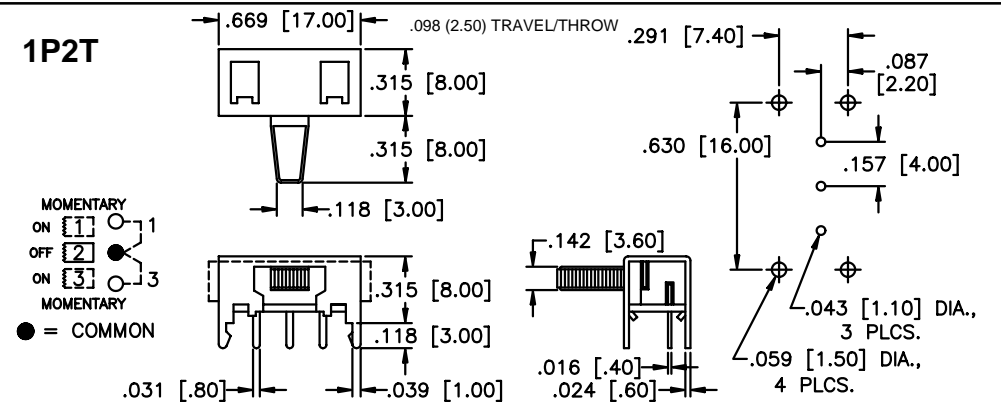
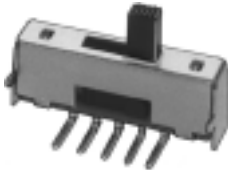
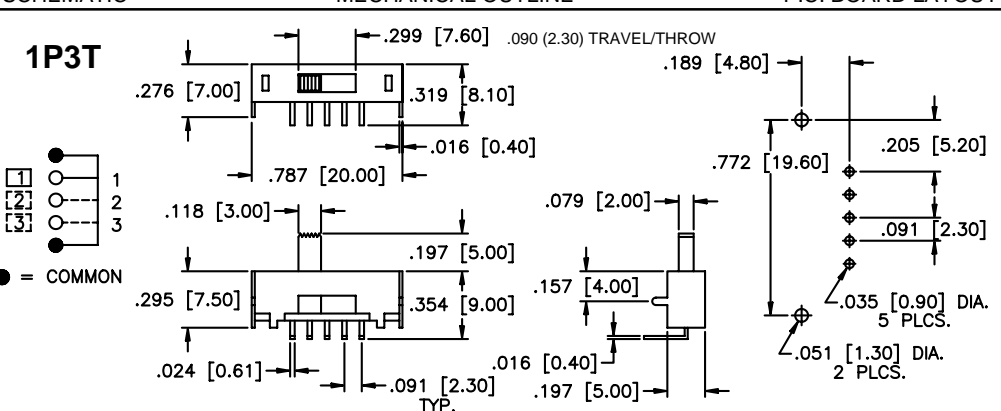

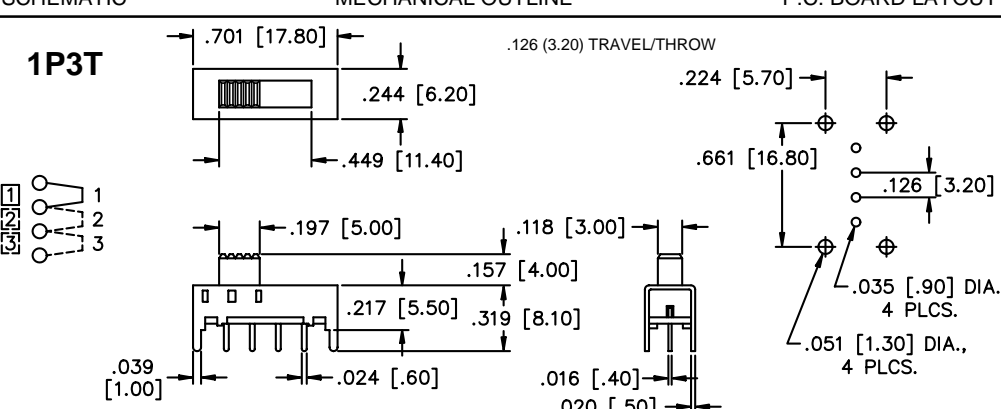
MODEL NO.			
SLB12804			
	<p><b>1P2T</b></p>  <p>● = COMMON</p>	<p>MECHANICAL OUTLINE</p>	<p>P.C. BOARD LAYOUT</p>
VERTICAL ACTUATOR	SCHEMATIC	MECHANICAL OUTLINE	P.C. BOARD LAYOUT
MODEL NO.			
SLB124145			
	<p><b>1P2T</b></p>  <p>● = COMMON</p>	 <p>MECHANICAL OUTLINE</p>	<p>P.C. BOARD LAYOUT</p>
VERTICAL ACTUATOR	SCHEMATIC	MECHANICAL OUTLINE	P.C. BOARD LAYOUT
MODEL NO.			
SLB1240R45			
	<p><b>1P2T</b></p>  <p>● = COMMON</p>	 <p>MECHANICAL OUTLINE</p>	<p>P.C. BOARD LAYOUT</p>
RIGHT ANGLE ACTUATOR	SCHEMATIC	MECHANICAL OUTLINE	P.C. BOARD LAYOUT

# SLB Series

(with thru-p.c. board hole mounting bracket)

## Miniature Slide Switches

SPECIFICATIONS SUBJECT TO CHANGE WITHOUT NOTICE




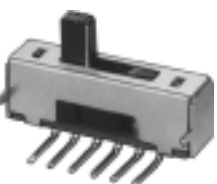
<p><b>MODEL NO.</b></p> <p style="color: red;"><b>SLB1280R5</b></p>  <p>RIGHT ANGLE ACTUATOR</p>	<p style="text-align: right;">.126 (3.20) TRAVEL/THROW</p> <p><b>1P2T</b></p>  <p style="text-align: center;">SCHEMATIC                      MECHANICAL OUTLINE                      P.C. BOARD LAYOUT</p>
<p><b>MODEL NO.</b></p> <p style="color: red;"><b>SLB1250R8</b></p>  <p>RIGHT ANGLE ACTUATOR</p>	<p style="text-align: right;">.098 (2.50) TRAVEL/THROW</p> <p><b>1P2T</b></p>  <p style="text-align: center;">SCHEMATIC                      MECHANICAL OUTLINE                      P.C. BOARD LAYOUT</p>
<p><b>MODEL NO.</b></p> <p style="color: red;"><b>SLB1370R</b></p>  <p>RIGHT ANGLE ACTUATOR</p>	<p style="text-align: right;">.090 (2.30) TRAVEL/THROW</p> <p><b>1P3T</b></p>  <p style="text-align: center;">SCHEMATIC                      MECHANICAL OUTLINE                      P.C. BOARD LAYOUT</p>
<p><b>MODEL NO.</b></p> <p style="color: red;"><b>SLB13804</b></p>  <p>VERTICAL ACTUATOR</p>	<p style="text-align: right;">.126 (3.20) TRAVEL/THROW</p> <p><b>1P3T</b></p>  <p style="text-align: center;">SCHEMATIC                      MECHANICAL OUTLINE                      P.C. BOARD LAYOUT</p>

# SLB Series

(with thru-p.c. board hole mounting bracket)

## Miniature Slide Switches

SPECIFICATIONS SUBJECT TO CHANGE WITHOUT NOTICE

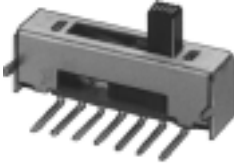
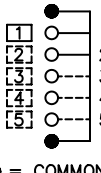
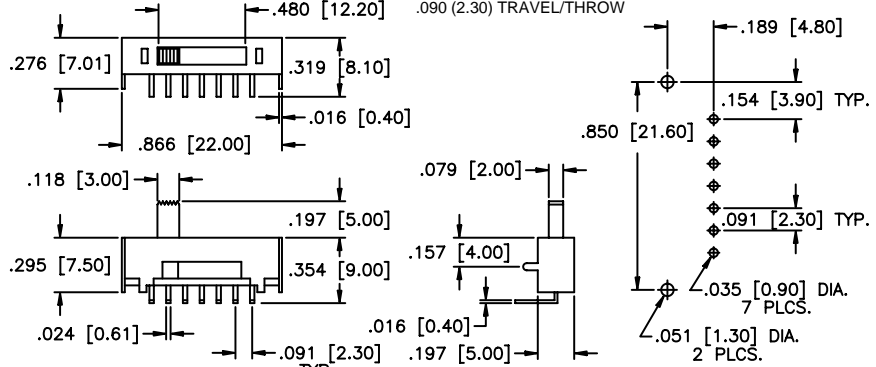

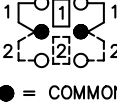
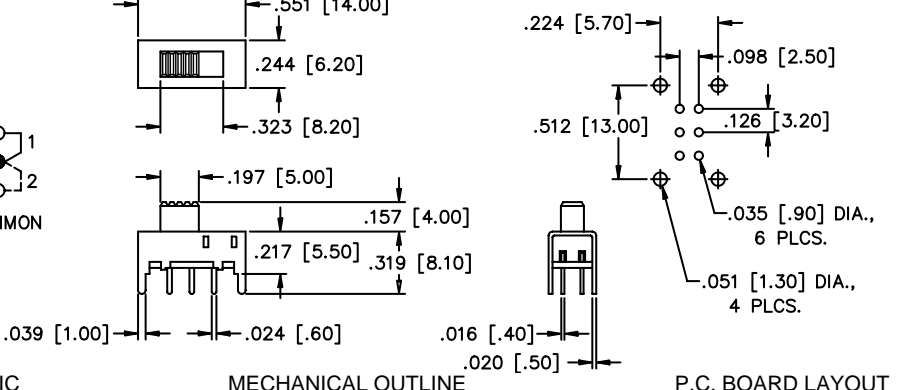
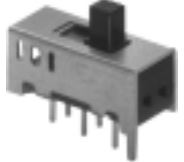
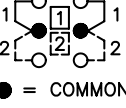
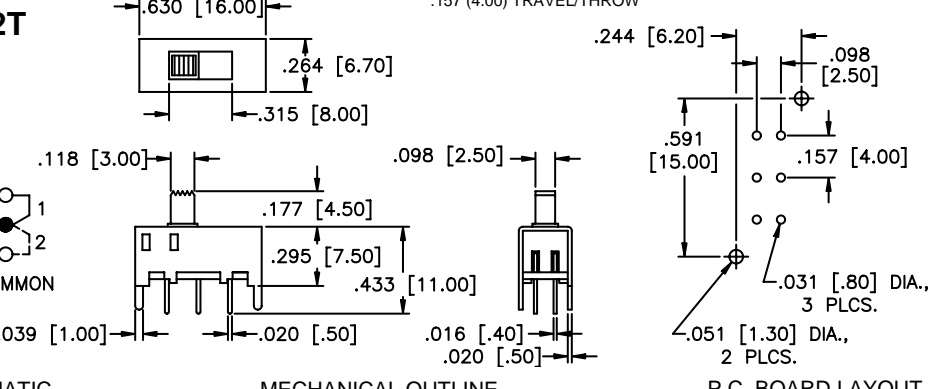

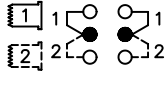
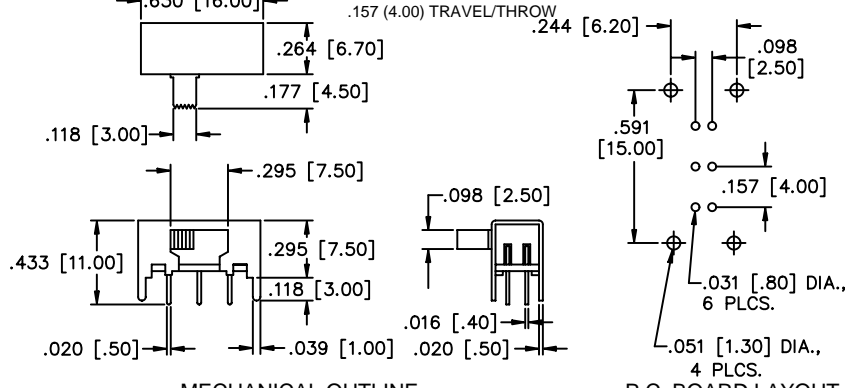
<b>MODEL NO.</b> <b>SLB134145</b>	<p><b>1P3T</b></p>  <p>VERTICAL ACTUATOR</p> <p><b>Schematic:</b> 1P3T configuration with terminals 1, 2, and 3. Terminal 2 is the common terminal.</p> <p><b>Mechanical Outline:</b> Dimensions include .630 [16.00] total width, .079 (2.00) TRAVEL/THROW, .264 [6.70] actuator height, .315 [8.00] terminal spacing, .118 [3.00] terminal offset, .177 [4.50] terminal width, .295 [7.50] body height, .433 [11.00] body length, .098 [2.50] terminal height, .020 [.50] terminal thickness, .244 [6.20] mounting hole spacing, .591 [15.00] mounting hole offset, .073 [1.85] mounting hole diameter, .157 [4.00] terminal offset, .079 [2.00] TYP. terminal width, .031 [.80] DIA., 4 PLCS. terminal diameter, and .051 [1.30] DIA., 2 PLCS. terminal diameter.</p> <p><b>P.C. BOARD LAYOUT:</b> Shows mounting hole positions and dimensions for 4 PLCS. and 2 PLCS. terminals.</p>
<b>MODEL NO.</b> <b>SLB1340R45</b>	<p><b>1P3T</b></p>  <p>RIGHT ANGLE ACTUATOR</p> <p><b>Schematic:</b> 1P3T configuration with terminals 1, 2, and 3. Terminal 2 is the common terminal.</p> <p><b>Mechanical Outline:</b> Dimensions include .630 [16.00] total width, .079 (2.00) TRAVEL/THROW, .264 [6.70] actuator height, .177 [4.50] terminal width, .118 [3.00] terminal offset, .295 [7.50] body height, .433 [11.00] body length, .098 [2.50] terminal height, .039 [1.00] terminal offset, .020 [.50] terminal thickness, .244 [6.20] mounting hole spacing, .591 [15.00] mounting hole offset, .073 [1.85] mounting hole diameter, .157 [4.00] terminal offset, .079 [2.00] TYP. terminal width, .031 [.80] DIA., 4 PLCS. terminal diameter, and .051 [1.30] DIA., 4 PLCS. terminal diameter.</p> <p><b>P.C. BOARD LAYOUT:</b> Shows mounting hole positions and dimensions for 4 PLCS. terminals.</p>
<b>MODEL NO.</b> <b>SLB1380R5</b>	<p><b>1P3T</b></p>  <p>RIGHT ANGLE ACTUATOR</p> <p><b>Schematic:</b> 1P3T configuration with terminals 1, 2, and 3. Terminal 2 is the common terminal.</p> <p><b>Mechanical Outline:</b> Dimensions include .701 [17.80] total width, .126 (3.20) TRAVEL/THROW, .244 [6.20] actuator height, .197 [5.00] terminal width, .118 [3.00] terminal offset, .217 [5.50] body height, .331 [8.40] body length, .319 [8.10] body length, .039 [1.00] terminal offset, .024 [.60] terminal thickness, .102 [2.60] terminal offset, .098 [2.50] terminal height, .016 [.40] terminal thickness, .224 [5.70] mounting hole spacing, .661 [16.80] mounting hole offset, .126 [3.20] mounting hole diameter, .035 [.90] DIA., 4 PLCS. terminal diameter, and .051 [1.30] DIA., 4 PLCS. terminal diameter.</p> <p><b>P.C. BOARD LAYOUT:</b> Shows mounting hole positions and dimensions for 4 PLCS. terminals.</p>
<b>MODEL NO.</b> <b>SLB1470R</b>	<p><b>1P4T</b></p>  <p>RIGHT ANGLE ACTUATOR</p> <p><b>Schematic:</b> 1P4T configuration with terminals 1, 2, 3, and 4. Terminal 2 is the common terminal.</p> <p><b>Mechanical Outline:</b> Dimensions include .390 [9.90] total width, .090 (2.30) TRAVEL/THROW, .276 [7.00] actuator height, .319 [8.10] body height, .118 [3.00] terminal offset, .787 [20.00] body length, .016 [0.40] terminal thickness, .197 [5.00] terminal width, .295 [7.50] body height, .354 [9.00] body length, .157 [4.00] terminal height, .024 [0.61] terminal offset, .091 [2.30] TYP. terminal offset, .016 [0.40] terminal thickness, .189 [4.80] mounting hole offset, .772 [19.60] mounting hole offset, .159 [4.05] mounting hole diameter, .091 [2.30] TYP. terminal width, .035 [0.90] DIA., 6 PLCS. terminal diameter, and .051 [1.30] DIA., 2 PLCS. terminal diameter.</p> <p><b>P.C. BOARD LAYOUT:</b> Shows mounting hole positions and dimensions for 6 PLCS. and 2 PLCS. terminals.</p>

# SLB Series

(with thru-p.c. board hole mounting bracket)

## Miniature Slide Switches

SPECIFICATIONS SUBJECT TO CHANGE WITHOUT NOTICE


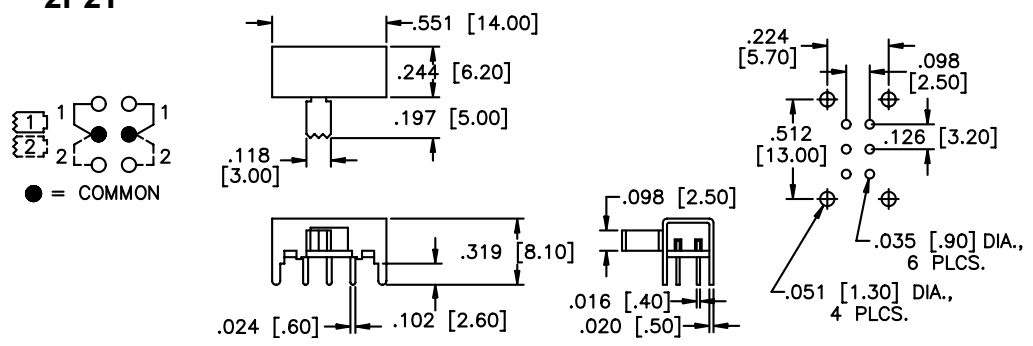

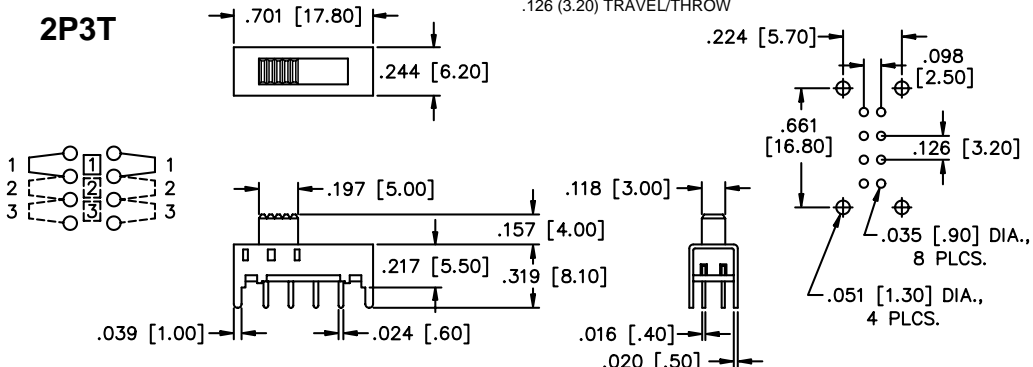

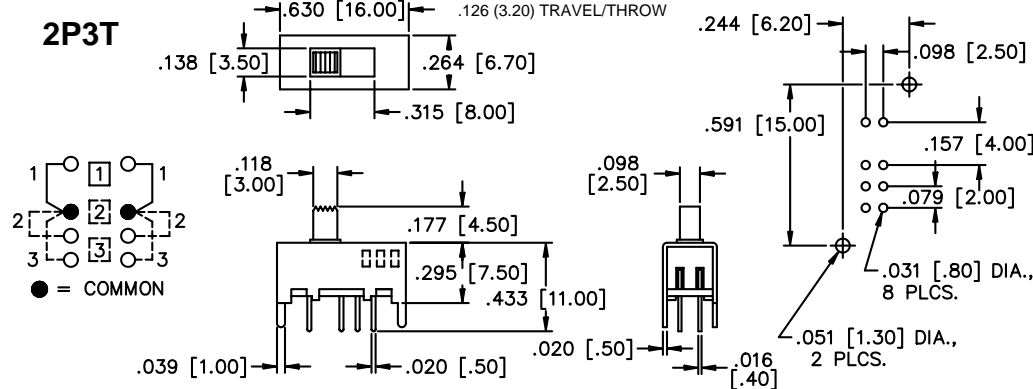

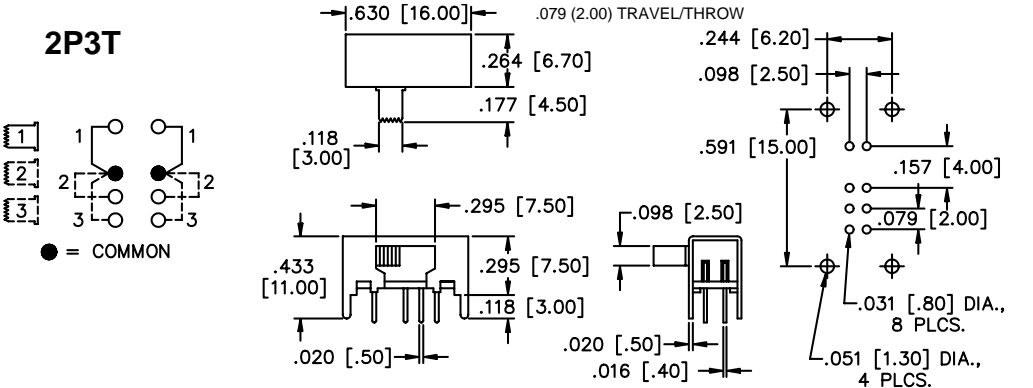
<p><b>MODEL NO.</b> <b>SLB1570R</b></p>  <p>RIGHT ANGLE ACTUATOR</p>	<p><b>1P5T</b></p>  <p>● = COMMON</p>  <p>SCHEMATIC      MECHANICAL OUTLINE      P.C. BOARD LAYOUT</p>
<p><b>MODEL NO.</b> <b>SLB22804</b></p>  <p>VERTICAL ACTUATOR</p>	<p><b>2P2T</b></p>  <p>● = COMMON</p>  <p>SCHEMATIC      MECHANICAL OUTLINE      P.C. BOARD LAYOUT</p>
<p><b>MODEL NO.</b> <b>SLB224145</b></p>  <p>VERTICAL ACTUATOR</p>	<p><b>2P2T</b></p>  <p>● = COMMON</p>  <p>SCHEMATIC      MECHANICAL OUTLINE      P.C. BOARD LAYOUT</p>
<p><b>MODEL NO.</b> <b>SLB2240R45</b></p>  <p>RIGHT ANGLE ACTUATOR</p>	<p><b>2P2T</b></p>  <p>● = COMMON</p>  <p>SCHEMATIC      MECHANICAL OUTLINE      P.C. BOARD LAYOUT</p>



# SLB Series

(with thru-p.c. board hole mounting bracket)  
**Miniature Slide Switches**

SPECIFICATIONS SUBJECT TO CHANGE WITHOUT NOTICE

<p><b>MODEL NO.</b> SLB2280R5</p>  <p>RIGHT ANGLE ACTUATOR</p>	<p><b>2P2T</b> <span style="float: right;">.126 (3.20) TRAVEL/THROW</span></p>  <p>SCHMATIC      MECHANICAL OUTLINE      P.C. BOARD LAYOUT</p>
<p><b>MODEL NO.</b> SLB23804</p>  <p>VERTICAL ACTUATOR</p>	<p><b>2P3T</b> <span style="float: right;">.126 (3.20) TRAVEL/THROW</span></p>  <p>SCHMATIC      MECHANICAL OUTLINE      P.C. BOARD LAYOUT</p>
<p><b>MODEL NO.</b> SLB234145</p>  <p>VERTICAL ACTUATOR</p>	<p><b>2P3T</b> <span style="float: right;">.126 (3.20) TRAVEL/THROW</span></p>  <p>SCHMATIC      MECHANICAL OUTLINE      P.C. BOARD LAYOUT</p>
<p><b>MODEL NO.</b> SLB2340R45</p>  <p>RIGHT ANGLE ACTUATOR</p>	<p><b>2P3T</b> <span style="float: right;">.079 (2.00) TRAVEL/THROW</span></p>  <p>SCHMATIC      MECHANICAL OUTLINE      P.C. BOARD LAYOUT</p>