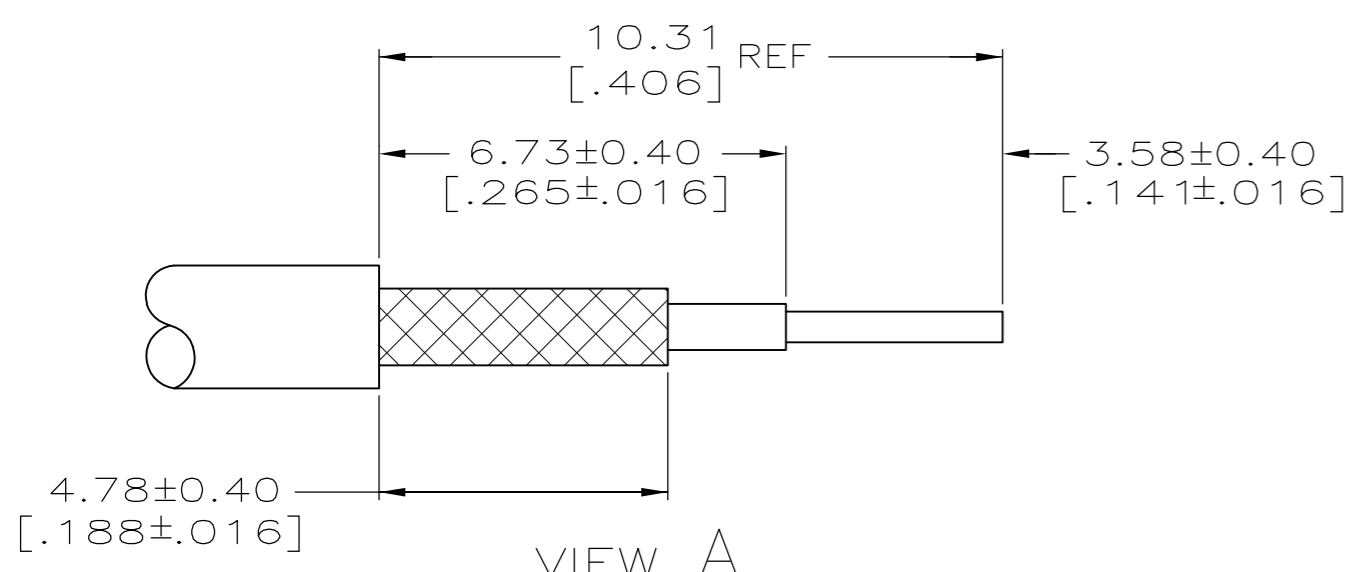
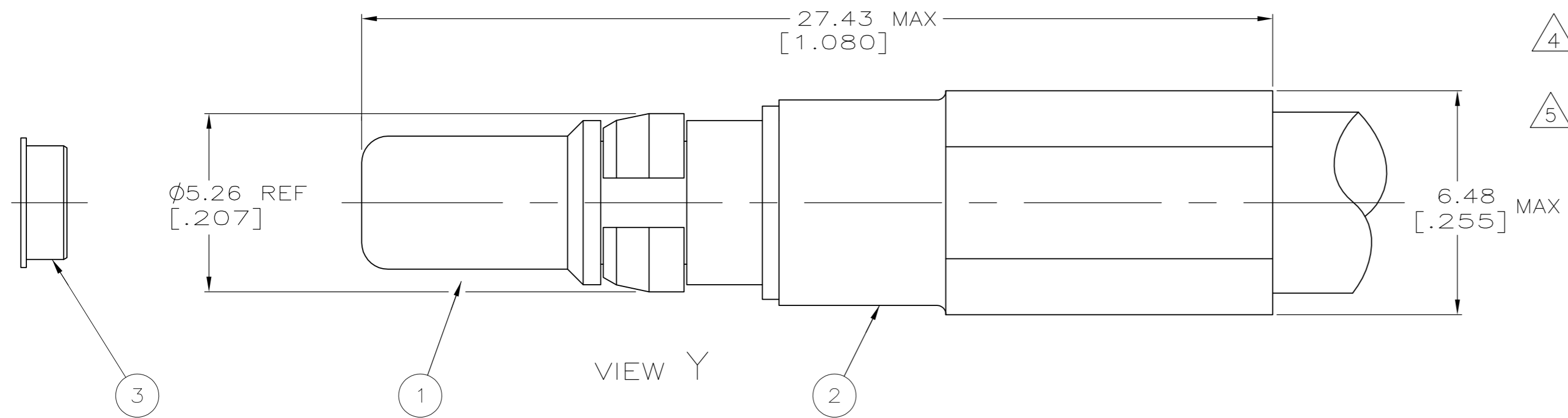
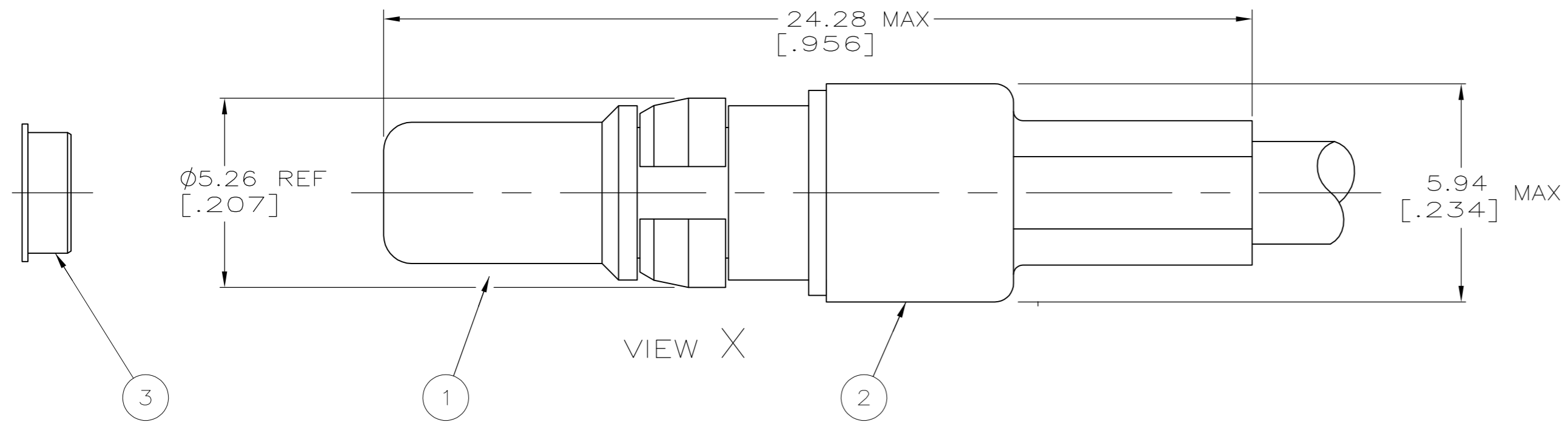


THIS DRAWING IS UNPUBLISHED. RELEASED FOR PUBLICATION
 © COPYRIGHT BY TYCO ELECTRONICS CORPORATION. ALL RIGHTS RESERVED.

LOC	DIST	REVISIONS					
		P	LTR	DESCRIPTION	DATE	DWN	APVD
AJ	16		A	REV PER EC 0S14-0028-05	17DEC05	BC	KW
			A1	REVISED PER ECO-09-024606	29OCT09	KK	AEG



- △1 FOR USE WITH: RG-142/U, 142A/U, 142B/U, 58A/U, & 400/U, BELDEN 9248
- 2. USE HAND TOOL: 69710-2
PNEUMATIC TOOL: 69365-8
EXTRACTION TOOL: 58095-1
- 3. ITEM #3 IS USED TO STABILIZE THE CRIMPED CONNECTOR IN THE HOUSING CAVITY, OTHERWISE DISCARD
- △4 FOR USE WITH: RD-316/U, 174/U, & 188/U DOUBLE BRAIDED CABLE
- △5 OBSOLETE PARTS: OBSOLETE CIS STREAMLINING PER D.RENAUD/D.SINISI

	59993-1		△4	228616-1	9-221205-0	9-222049-0	X,A	5221980-5
△5 OBSOLETE	59993-1	RG-179/U, 179A/U & 179B/U		228616-1	9-228603-0	9-222049-1	X,A	5221980-3
OBSOLETE	58212-1		△1	228616-1	9-225381-0	222059-1	Y,A	5221980-2
	59993-1	RG-174/U, 188/U & 316/U		228616-1	9-228603-0	9-222049-0	X,A	5221980-1
	DIE SET	USE WITH CABLE	△3	ALIGNMENT RING QTY=1	△2	FERRULE QTY=1	△1	PIN ASSY QTY=1
				VIEW				PART NUMBER

THIS DRAWING IS A CONTROLLED DOCUMENT.		DWN	J. HAVENER	24JAN2005	Tyco Electronics Corporation Harrisburg, PA 17105-3608
DIMENSIONS: INCHES		CHK	J. HAVENER	26JAN2005	
TOLERANCES UNLESS OTHERWISE SPECIFIED:		APVD	G. MICHAEL	26JAN2005	
0 PLC ± -	1 PLC ± -	PRODUCT SPEC	NAME		
2 PLC ± -	3 PLC ± -	APPLICATION SPEC	PIN, STRAIGHT, 50 OHM, SIZE 8		
4 PLC ± -	ANGLES ± -	WEIGHT	SIZE	CAGE CODE	DRAWING NO
MATERIAL	FINISH		A2	00779	C=5221980
		CUSTOMER DRAWING	SCALE	SHEET	REV
			8:1	1 of 1	A1

5221980