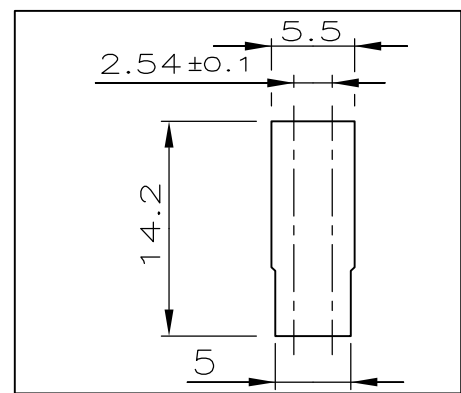


THIS DRAWING IS UNPUBLISHED. RELEASED FOR PUBLICATION
 © COPYRIGHT - By - ALL RIGHTS RESERVED.

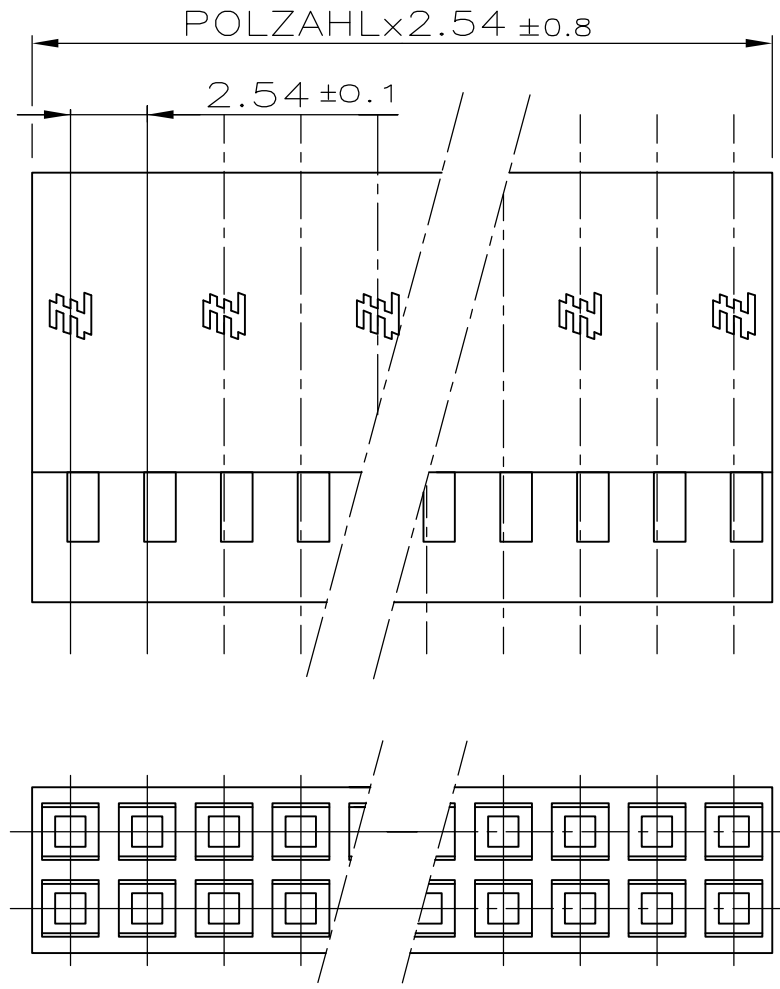
LOC	DIST	REVISIONS			
P	LTR	DESCRIPTION	DATE	DWN	APVD
-	-	Z1	LOGO DETAILS UPDATE	01OCT2012	SP RP

GEGENSTECKER/KONTAKT:
 MATED WITH: 826 632 167 301-4
 NUMBER 925367
 VERWENDET FÜR E 92-9802
 WAR NR. -



ZWEIREIHIG

POLZPRO REIHE	L ± 0.8	BESTELL-NR.	
-	-	-	
2	5.08	925 367 -2	
3	7.62		
4	10.16		
5	12.70		
6	15.24		
7	17.78		
8	20.32		
9	22.86		OBSOLETE
10	25.40	1-	
11	27.94	-1	OBSOLETE
12	30.48	1-	
13	33.02	-1	OBSOLETE
14	35.56	-1	OBSOLETE
15	38.10	-1	OBSOLETE
16	40.64	-1	OBSOLETE
17	43.18	1-	
18	45.72	1-	
19	48.26	-1	OBSOLETE
20	50.80	2-	
21	53.34	-2	OBSOLETE
22	55.88	2-	
23	58.42	-2	OBSOLETE
24	60.96	-2	1
25	63.50	-2	
26	66.04	-2	OBSOLETE
27	68.58	-2	OBSOLETE
28	71.12	-2	
29	73.66	-2	1
30	76.20	3-	
31	78.74	-3	
32	81.28	-3	OBSOLETE
33	83.82	-3	
34	86.36	-3	1
35	88.90	-3	
36	91.44	-3	OBSOLETE
37	93.98	-3	
38	96.52	-3	
39	99.06	-3	
40	101.60	-4	
41	104.14	-4	
42	106.68	-4	OBSOLETE
43	109.22	-4	
44	111.76	-4	
45	114.30	-4	
46	116.84	-4	
47	119.38	-4	
48	121.92	-4	
49	124.46	-4	
50	127.00	5- 925 367 -0	



1 OBSOLETE PARTS: OBSOLETE CIS STREAMLINING PER D.RENAUD/D.SINISI

ZEICHNUNG GÜLTIG AB KW 32./95

polyamid	GRÜN RAL 6011
WERKSTOFF	OBERFLÄCHE FARBE

THIS DRAWING IS A CONTROLLED DOCUMENT.

DIMENSIONS:	TOLERANCES UNLESS OTHERWISE SPECIFIED:
mm	±0.2mm
	0 PLC ± -
	1 PLC ± -
	2 PLC ± -
	3 PLC ± -
	4 PLC ± -
	ANGLES ± -
	FINISH -

DWN DAHLHEIMER 05.12.75	STE TE Connectivity			
CHK KREPP	NAME AMPMODU IV GEHÄUSE ZWEIREIHIG			
APVD -	SIZE A3	CAGE CODE 00779	DRAWING NO C-925367	RESTRICTED TO -
PRODUCT SPEC -	SCALE 2:1 SHEET 1 OF 1 REV Z1			
APPLICATION SPEC -	CUSTOMER DRAWING			
WEIGHT -				