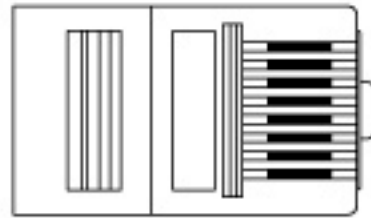
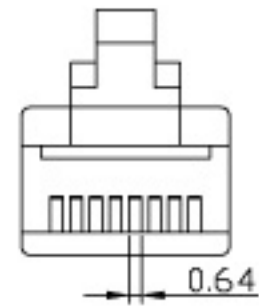
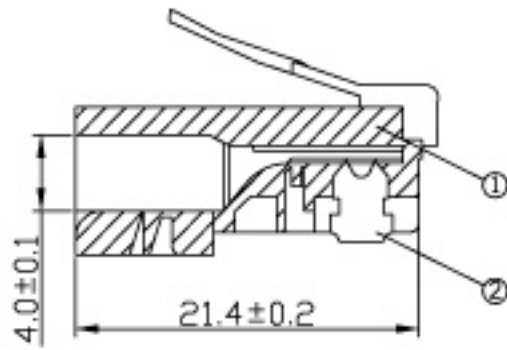
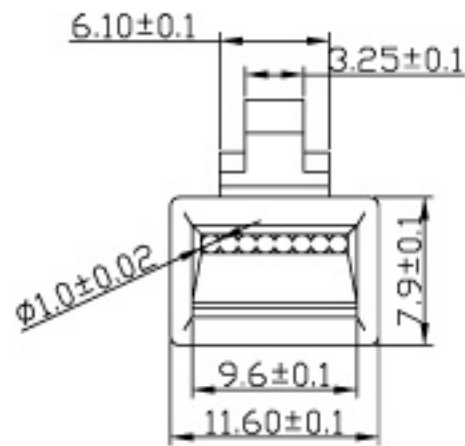


A B C D E F

DATE BY	REVISION



②	CONTACT	PHOSPHOR BRONZE. GOLD PLATED.
①	HOUSING	PC TEIJIN L-1250Y 94V-2
NO.	PART/NAME	MATERIAL

DATE	7 MAY,2003	PARTS NO	
UNIT	MM	DRAWN NO	A-MO-8/8-SF
SCALE		BUYER NO	002

TITLE: MODULAR PLUG 8P8C UNSHIELD  
6u<sup>+</sup>  
**A-MO-8/8-SF**

DRAWN	Y.C.C 5/7	CHECK	APPRO
ASSMANN Electronics			