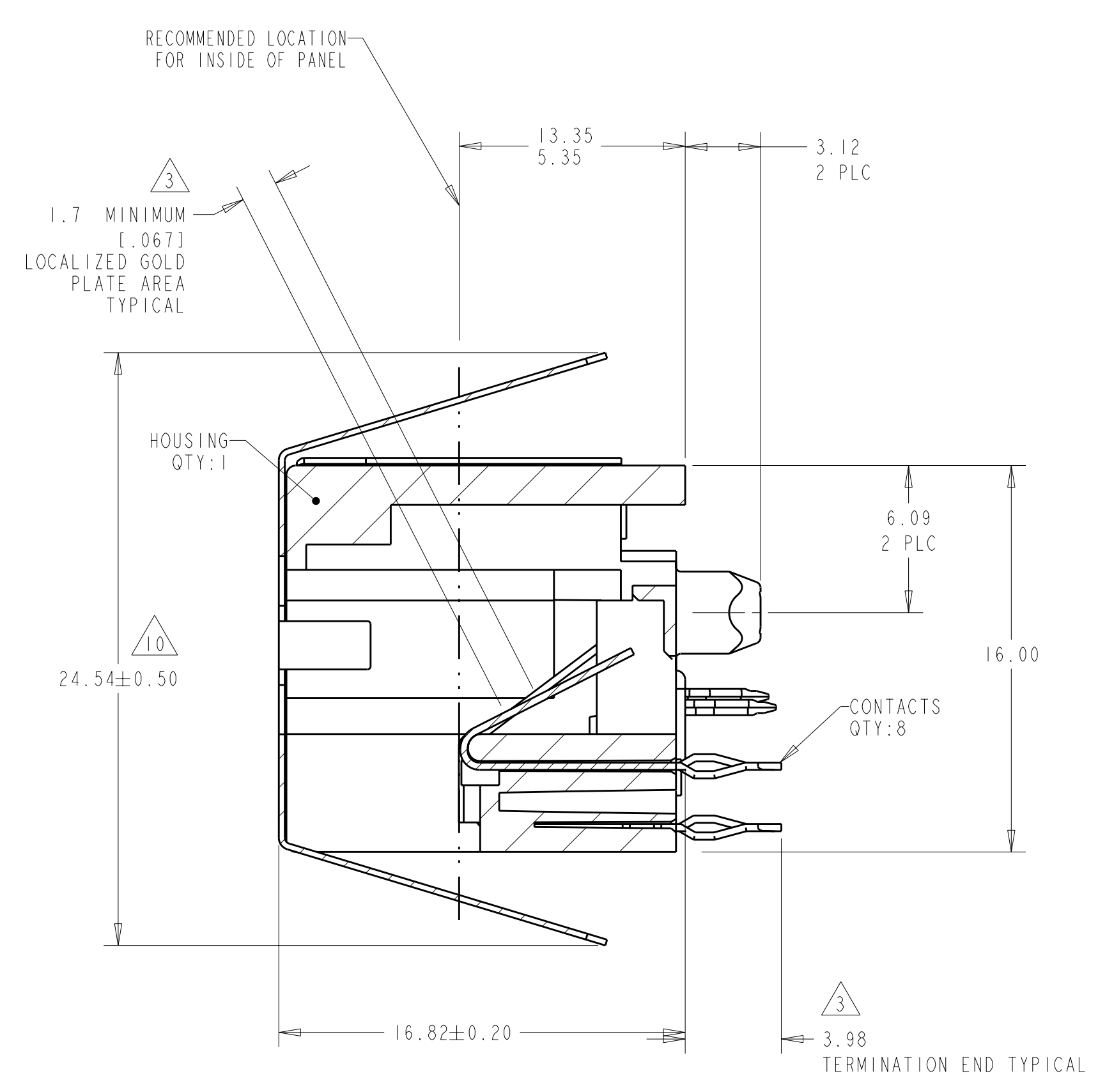
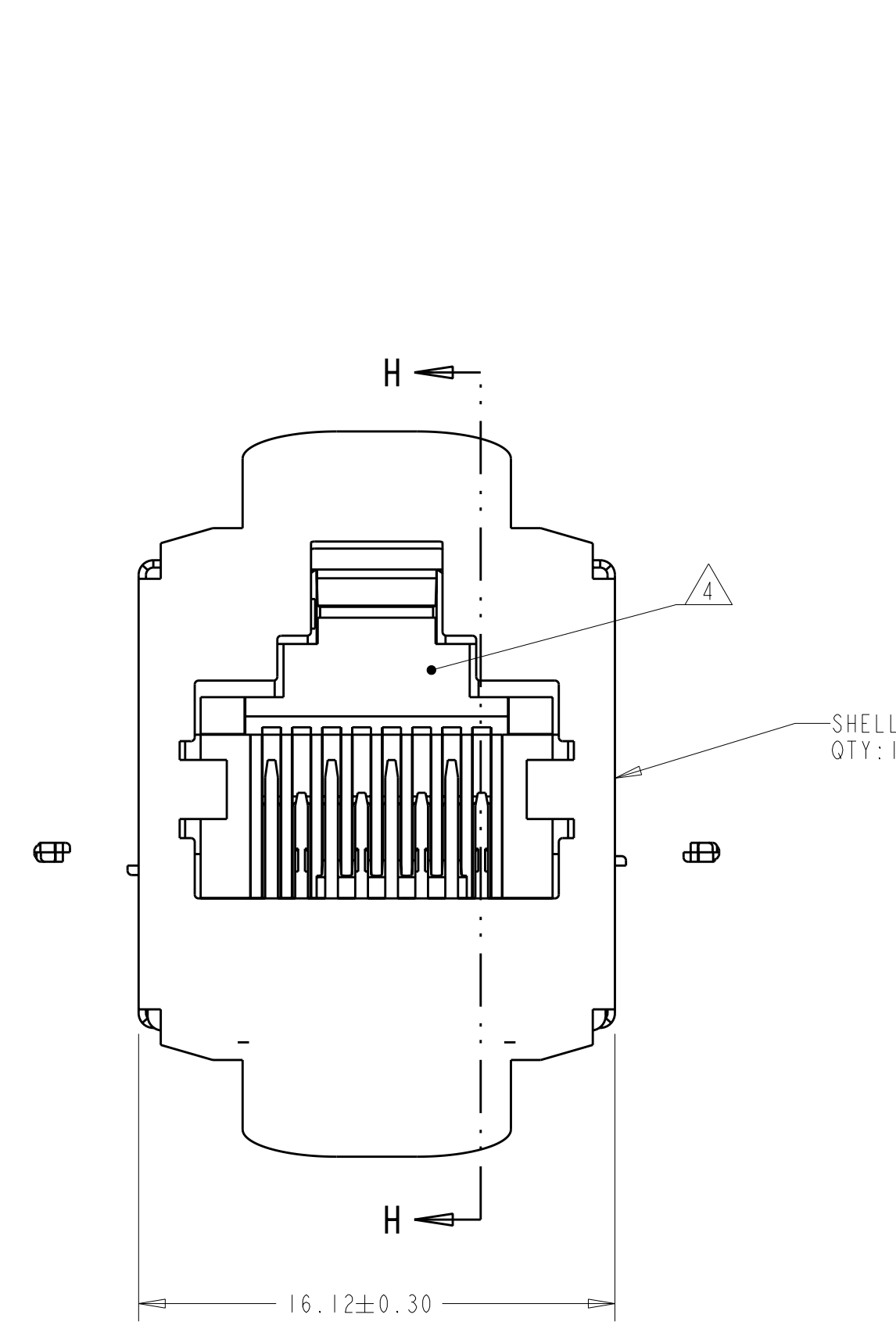
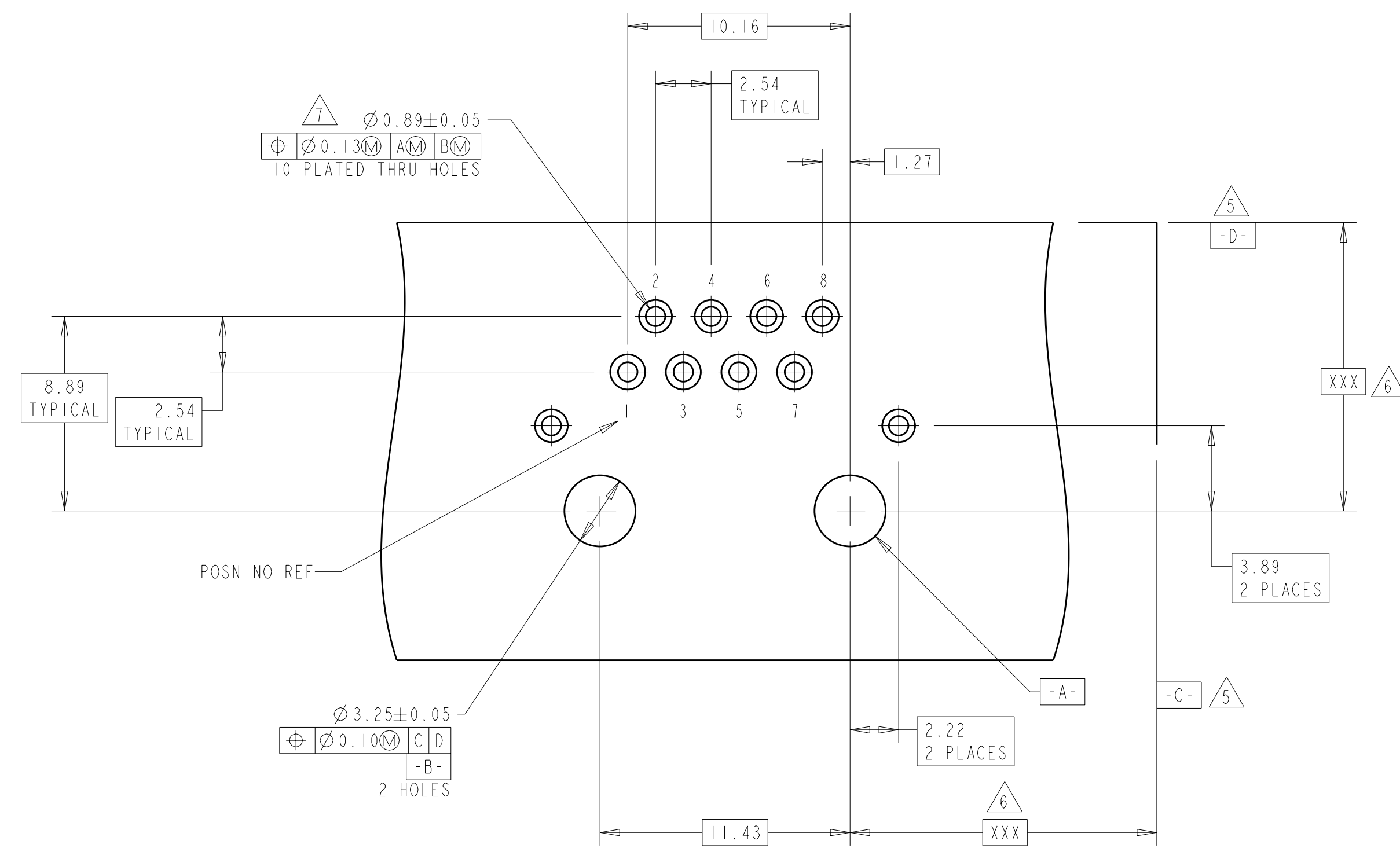


LOC	DIST	REVISIONS			
P	LTB	DESCRIPTION	DATE	DWN	APVD
AA	22	A	REVISED PER EC OS11-0201-04	23JUN2005	LV SF
		B	REV PER ECO-11-014934	15MAR2012	JJ AC

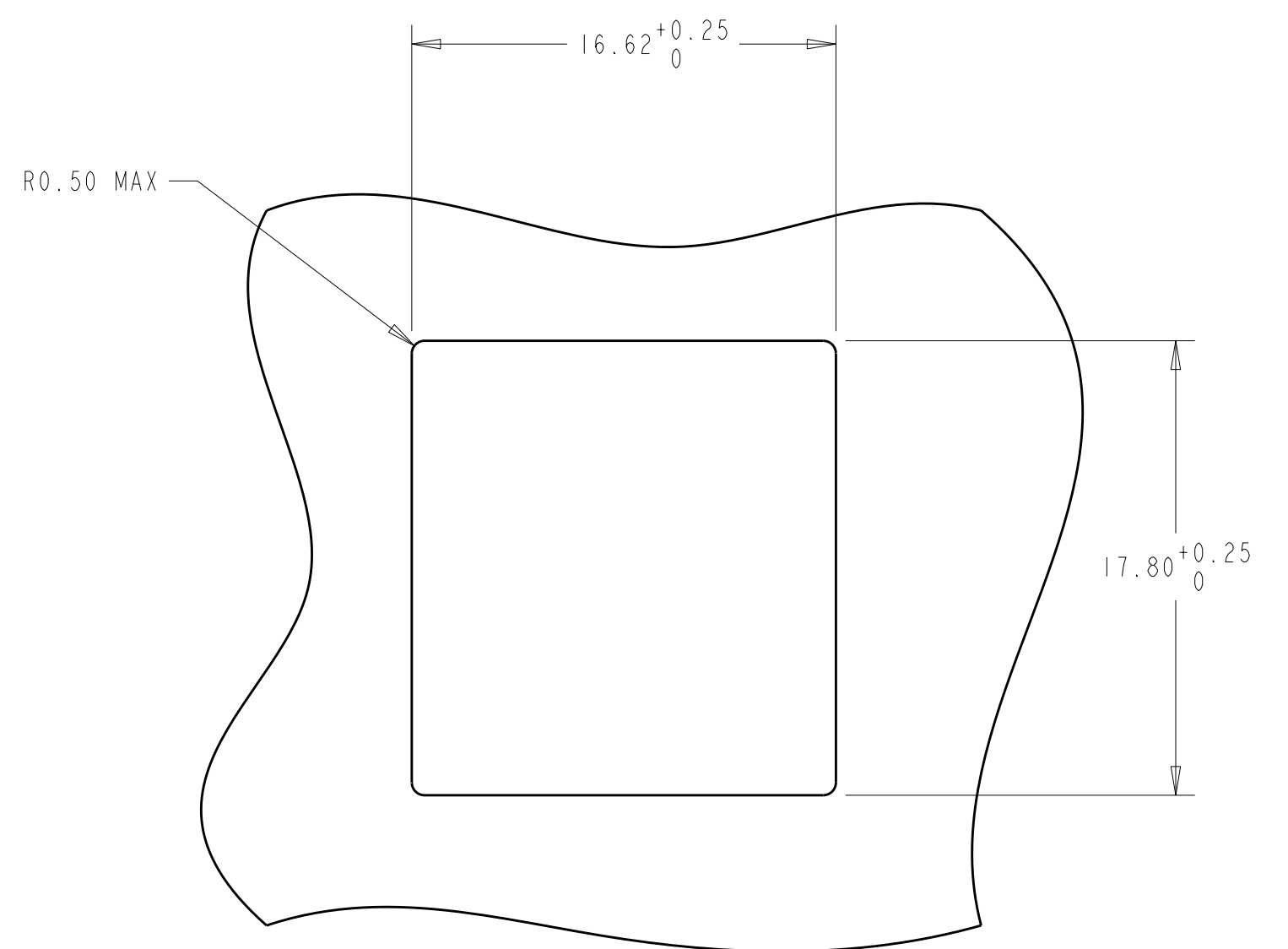


SECTION H-H

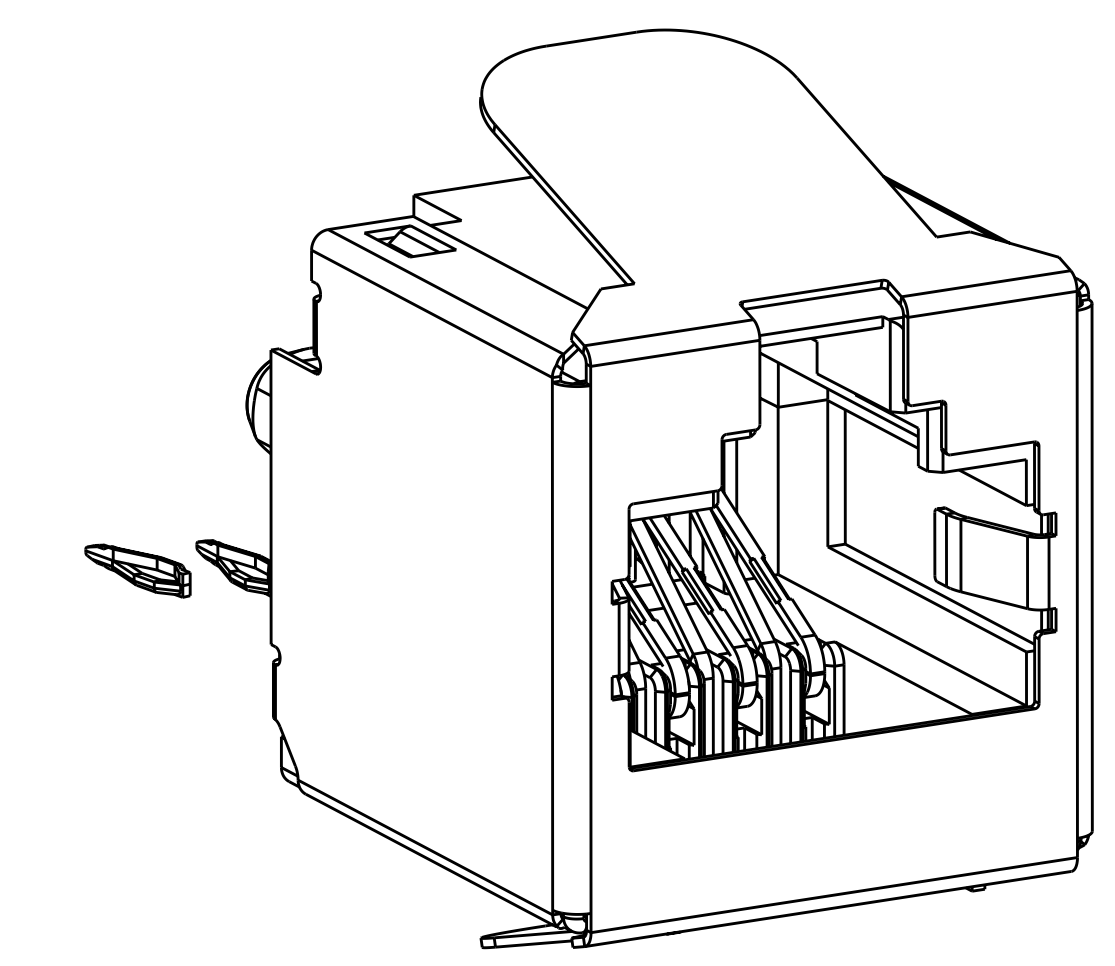
- 1 THERMOPLASTIC, COLOR-BLACK.
- 2 PHOSPHOR BRONZE
- 3 1.27µm MIN GOLD IN LOCALIZED GOLD PLATE AREA, 2µm MIN MATTE TIN ON TERMINATION END, BOTH OVER 1.27µm MIN NICKEL.
- 4 CAVITY CONFORMS TO FCC 47 CFR 68 PART F.
- 5 DATUMS ESTABLISHED BY CUSTOMER.
- 6 DIMENSIONS ESTABLISHED BY CUSTOMER.
- 7 DRILLED HOLE DIAMETER 1.02±0.03. COPPER THK 0.03-0.08. TIN THICKNESS 8µm MIN.
- 8 COPPER ZINC ALLOY.
- 9 2.03µm MIN BRIGHT TIN OVER 1.27µm MIN NICKEL.
- 10 DIMENSION AFTER HOUSING ASSEMBLY INSTALLED IN RECOMMENDED PANEL CUTOUT IS 21mm MAX.
- 11 PC BOARDS GREATER THAN 1.57mm MAY REQUIRE SPECIAL EXTRACTION TOOLING, CONSULT ENGINEERING.
- 12 WITH IMPROVED METAL PLATES WHICH DO NOT EXCEED THE BOTTOM SURFACE OF THE HOUSING.



RECOMMENDED PRINTED CIRCUIT BOARD LAYOUT  
 RECOMMENDED PRINTED CIRCUIT BOARD THICKNESS 1.4 MIN  
 COMPONENT SIDE OF PRINTED CIRCUIT BOARD



RECOMMENDED PANEL CUTOUT



6116418-1
PART NUMBER

THIS DRAWING IS A CONTROLLED DOCUMENT.		DWN: VARELA - 23JUN2005	TE Connectivity	
DIMENSIONS: mm		CHK: J. WESTMAN - 23JUN2005	NAME: HOUSING ASSEMBLY, VERTICAL, COMPLIANT PIN, SHIELDED, 8 POSITION, MODULAR JACK, CATEGORY 5	
TOLERANCES UNLESS OTHERWISE SPECIFIED:		APVD: S. FLICKINGER - 23JUN2005	PRODUCT SPEC: 108-1163-6	
9 PLC ±		APPLICATION SPEC: 114-2158		
1 PLC ±0.3		SIZE: A1		
5 PLC ±		CAGE CODE: 00779		
4 PLC ±		DRAWING NO: C=6116418		
ANGLES ±		RESTRICTED TO: -		
MATERIAL: HOUSING: 1	FINISH: SHELL: 9	WEIGHT: -	CUSTOMER DRAWING	
CONTACTS: SHELL: 8	CONTACT: 3	SCALE: 5:1		SHEET: 1 OF 1