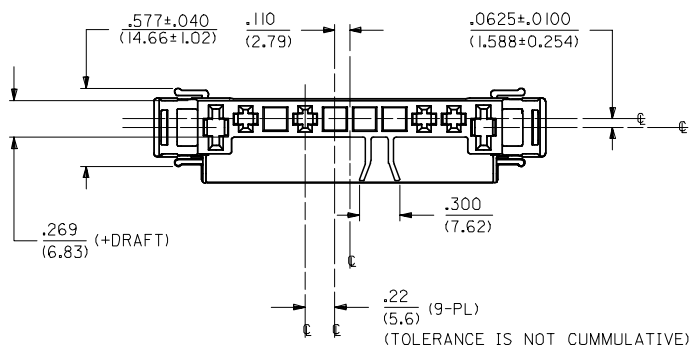
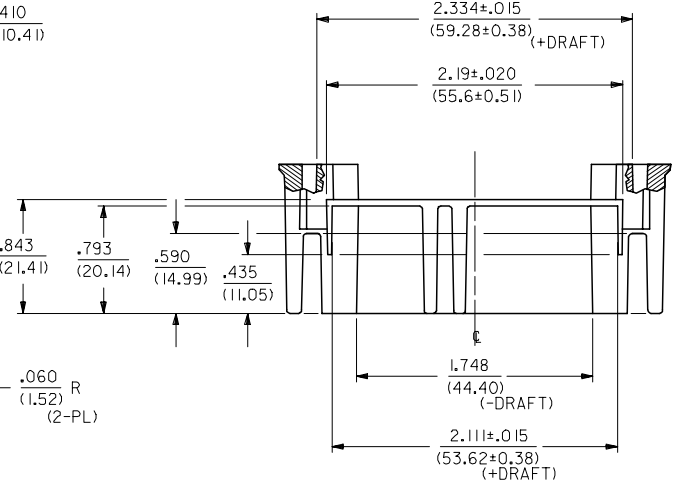
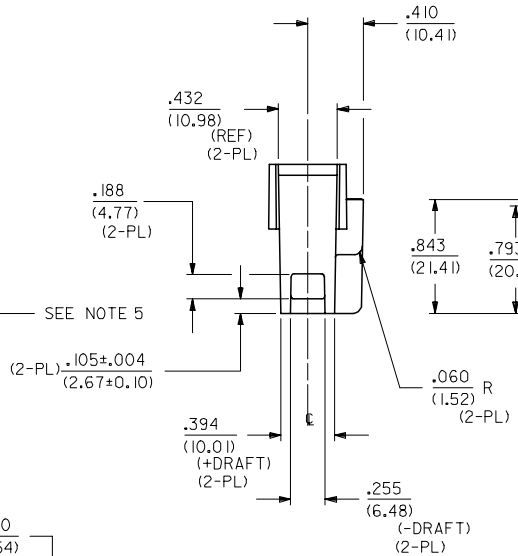
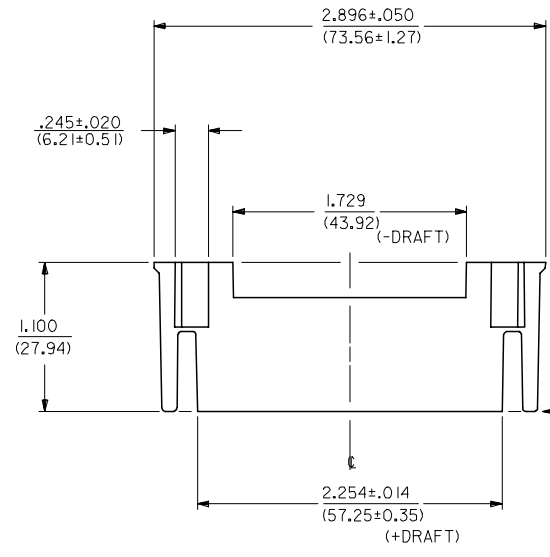
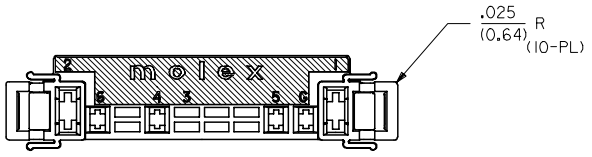


NOTES

- MATERIAL: NYLON 6/6, 94V-2. COLOR: NATURAL (WHITE/TRANSLUCENT) PER SMES-128-A.
- FINISH: NONE.
- PRODUCT SPECS: PSX-42865-0001, PSX-42865-0002 & PS-43374-0001 APPLY.
- PACKAGING SPECS: HOUSINGS ARE PACKED ACCORDING TO PK-42865-001.
- THE OUTSIDE EDGES ASSOCIATED WITH THIS SURFACE TO HAVE .02/(0.51) RADII.
- 42865-0001 CONNECTOR HOUSING IS FOR USE WITH TERMINALS:
 - .125/(3.18) SPADE: I508-* & 43374-***I (4-PL MAX)
 - .250/(6.35) SPADE: 41422-3***5** (2-PL MAX)
- 42865-0002 CONNECTOR HOUSING IS FOR USE WITH TERMINALS:
 - .125/(3.18) SPADE: I508-* & 43374-***I (5-PL MAX)
 - .250/(6.35) SPADE: 41422-3***5** (2-PL MAX)
- PART CONFORMS TO CLASS B REQUIREMENTS OF COSMETIC SPECS PS-45499-002.



42865-0001	006-02-3104
ENG. NO.	PART NO.

ADD NOTES 2.47&8 EC NO: UCP2007-1658 DRAWN: AELHAG CHKD: 2007/03/19 APPR: FSM TH	2007/03/16 2007/03/19 2007/03/19	DESCRIPTION
--	--	-------------

QUALITY SYMBOLS	GENERAL TOLERANCES (UNLESS SPECIFIED)
▽=0	mm INCH
▽=0	4 PLACES ± --- ± ---
	3 PLACES ± --- ± .010
	2 PLACES ± 0.25 ± .014
	1 PLACE ± 0.35 ± ---
	ANGULAR ±1/2°
	DRAFT WHERE APPLICABLE MUST REMAIN WITHIN DIMENSIONS

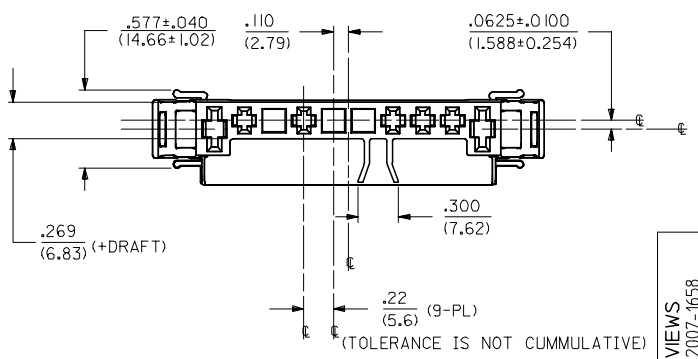
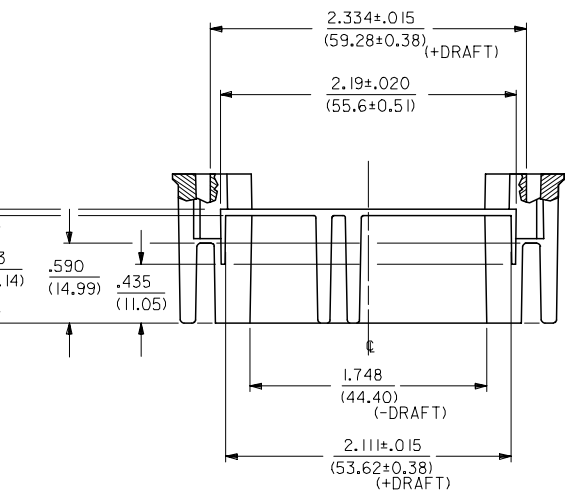
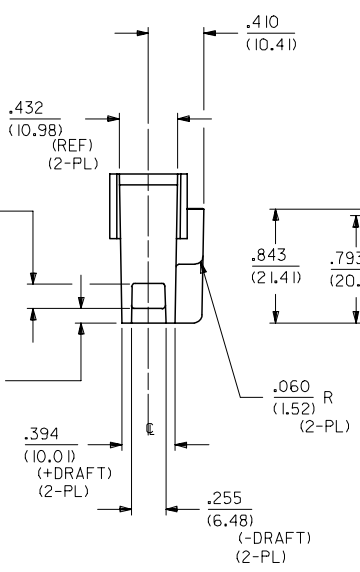
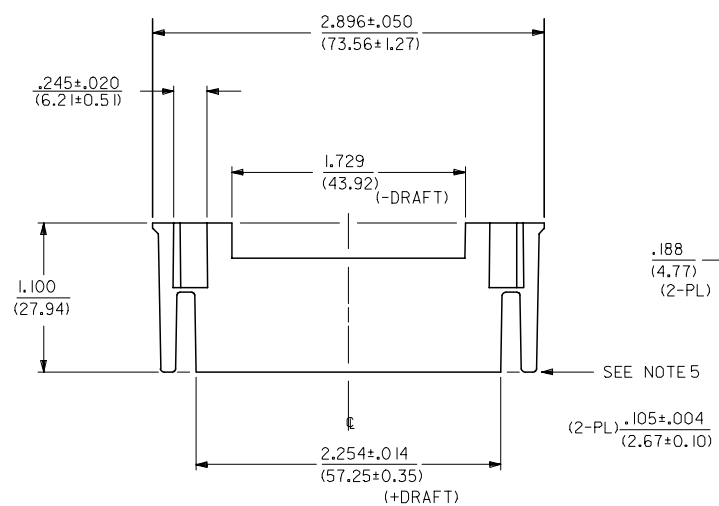
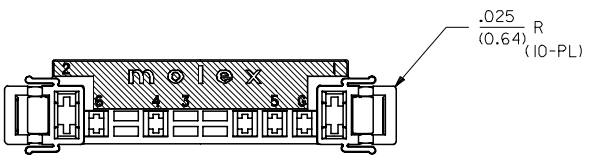
DIMENSION STYLE		SCALE	DESIGN UNITS	THIRD ANGLE PROJECTION
IN/MM		1:1	INCH	☉ □
DRAWN BY	DATE	TITLE		
KBP	10/17/1991	HOUSING, CONNECTOR		
CHECKED BY	DATE	10 - CIRCUITS		
KBP	10/17/1991	DRYER MOTOR APPLICATION		
APPROVED BY	DATE	MOLEX MOLEX INCORPORATED		
RAS	10/17/1991			
MATERIAL NO.	DOCUMENT NO.	SHEET NO.		
		1 OF 2		

SEE CHART	SD-42865-0001
THIS DRAWING CONTAINS INFORMATION THAT IS PROPRIETARY TO MOLEX INCORPORATED AND SHOULD NOT BE USED WITHOUT WRITTEN PERMISSION	

13 12 11 10 9 8 7 6 5 4 3 2 1

J
I
H
G
F
E
D
C
B
A

J
I
H
G
F
E
D
C
B
A



(TOLERANCE IS NOT CUMMULATIVE)

SEE NOTE 5
(2-PL)

42865-0002	006-02-3105
ENG. NO.	PART NO.

UPDATE VIEWS FC NO: UCP2007-1658 DRAWN: AELHAG CHKD: LSCHMIDT APPR: FSM TH	2007/03/16 2007/03/19 2007/03/19	DESCRIPTION
REV		

QUALITY SYMBOLS	GENERAL TOLERANCES (UNLESS SPECIFIED)
▽=0	mm INCH
▽=0	4 PLACES ± --- ± ---
	3 PLACES ± --- ± .010
	2 PLACES ± 0.25 ± .014
	1 PLACE ± 0.35 ± ---
	ANGULAR ±1/2°
	DRAFT WHERE APPLICABLE MUST REMAIN WITHIN DIMENSIONS

DIMENSION STYLE	SCALE
IN/MM	DESIGN UNITS INCH
DRAWN BY	DATE
JW	12/10/96
CHECKED BY	DATE
RHR	12/10/96
APPROVED BY	DATE
RE	12/10/96
MATERIAL NO.	DOCUMENT NO.
SEE CHART	SD-42865-0001
SIZE	SHEET NO.
C	2 OF 2

THIRD ANGLE PROJECTION	HOUSING CONNECTOR 10 CKT DRYER MOTOR APPLICATION
Molex	MOLEX INCORPORATED
THIS DRAWING CONTAINS INFORMATION THAT IS PROPRIETARY TO MOLEX INCORPORATED AND SHOULD NOT BE USED WITHOUT WRITTEN PERMISSION	

12 11 10 9 8 7 6 5 4 3 2 1